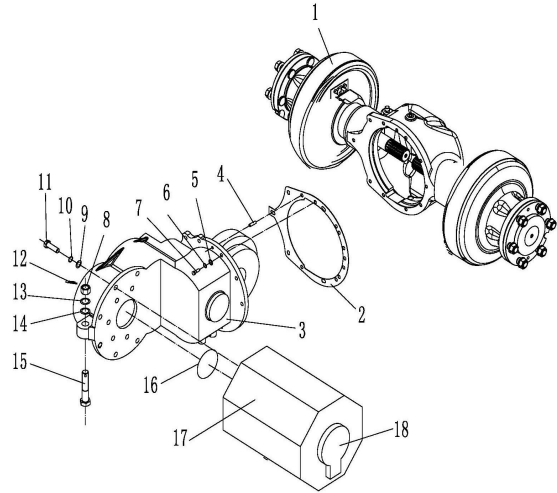


目录/CATALOGUE

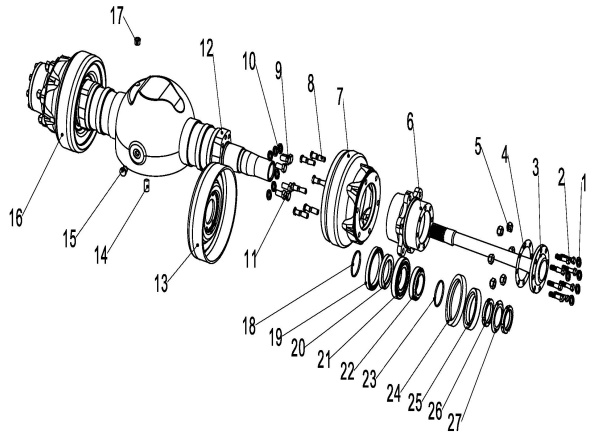
1	254198501001 传动系统/Drive system	1
2	254198501002 驱动桥(DW)/Drive axle(DW)	2
3	254198501003 制动器总成(DW)/Brake assembly (DW)	3-4
4	254198501004 驱动桥(KD)/Drive axle(KD)	5
5	254198501005 制动器总成(KD)/Brake assembly (KD)	6-7
6	254198501006 变速箱(ZN)/Gear box (ZN)	8
7	254198501007 差速器(ZN)/Differential mechanism (ZN)	9
8	254198501008 变速箱(JD)/Gear box (JD)	10-11
9	254198501009 变速箱(JD)差速器/Differential mechanism (JD)	12
10	254198501010 驱动轮总成/Drive wheel assembly	13
11	254198501011 起升电机及安装/Lifting motor and installation	14
12	254198501012 铅酸蓄电池及托架/Battery and bracket	15
13	254198501013 脚踏板/Foot pedal	16
14	254198501014 电瓶箱盖/Battery box cover	17-18
15	254198501015 右侧门(侧出式)/Right side door (Side out type)	19
16	254198501016 右侧板(吊装式)/Right side plate (hoisting frame)	20
17	254198501017 左侧板/Left cover plate	21
18	254198501018 阀罩/Valve cover	22
19	254198501019 平衡重装配/Counter weight assembly	23
20	254198501020 车架(侧出式)/Frame(Side out type)	24
21	254198501021 车架(吊装式)/Frame(hoisting)	25
22	254198501022 控制面板/Control Panel	26
23	254198501023 转向装置及安装/Steering mechanism and installatio	27
24	254198501024 脚制动操纵/Foot brake	28
25	254198501025 停车制动操纵/Parking brake	29-30
26	254198501026 护顶架及安装/Overhead guard and installation	31
27	254198501027 后视镜安装/Rearview mirror installation	32
28	254198501028 转向桥及安装(DW)/Steering axle and installation (DW)	33-34
29	254198501029 转向油缸(DW)/Steering cylinder(DW)	35
30	254198501030 转向桥及安装(KD)/Steering axle and installation(KD)	36-37
31	254198501031 转向油缸(KD)/Steering cylinder(KD)	38
32	254198501032 转向车轮总成/Steering wheel assembly	39
33	254198501033 工作油箱装置及安装/Working tank and installation	40
34	254198501034 多路换向阀操纵(二联)/Multiple directional control valve (bigeminy)	41-42
35	254198501035 多路换向阀操纵(三联)/Multiple directional control valve (trigeminy)	43-44
36	254198501036 多路换向阀操纵(四联)/Multiple directional control valve(four)	45-46
37	254198501037 液压系统/Hydraulic system	47-48
38	254198501038 门架起升管路(标准门架)/Mast lifting pipeline (standard mast)	49
39	254198501039 门架起升管路(二级全自由)/Mast lifting pipeline(three stage full free lift)	50-51
40	254198501040 门架起升管路(三级全自由)/Mast lifting pipeline(three stage full free lift)	52-53
41	254198501041 侧移器及管路安装(标准门架)/Side shifter and pipeline installation (standard mast)	54
42	254198501042 双附加管路 FOURTH ADDITIONAL PIPELINE (standard mast)	55-56
43	254198501043 侧移器及管路安装(二级全自由)/Side shifter and pipeline installation(two stage full	57-58
44	254198501044 侧移器及管路安装(三级全自由)/Side shifter and pipeline installation(three stage full	59-60
45	254198501045 双附加管路(三级全自由)/DOUBLE ADDITIONAL TUBE(three stage full free)	61-62
46	254198501046 货叉/Fork	63
47	254198501047 货叉架(标准门架)/Fork carrier(standard mast)	64
48	254198501048 货叉架(二级全自由)/Fork carrier(standard mast)	65
49	254198501049 货叉架(三级全自由)/Fork carrier(two stage full free)	66
50	254198501050 门架(标准门架)/Mast (standard mast)	67
51	254198501051 门架(二级全自由)/Mast (three stage full free)	68
52	254198501052 门架(三级全自由)/Gantry (three levels of full freedom)	69-70
53	254198501053 起升油缸(标准门架)/Lifting cylinder(standard mast)	71-72
54	254198501054 短升降油缸(二级全自由)/Short lifting cylinder (two stage full free)	73-75
55	254198501055 起升油缸(二级全自由)/Lifting cylinder(two stage full free)	76-77
56	254198501056 短升降油缸(三级全自由)/Short lifting cylinder (three stage full free)	78-79
57	254198501057 起升油缸(三级全自由)/Lifting cylinder(three stage full free)	80-82
58	254198501058 倾斜油缸/Tilted cylinder	83
59	254198501059 电器系统/Electric system	84-85
60	254198501060 电控组件(CURTIS)/Electronic control element (CURTIS)	86
61	254198501061 电控组件(Inmotion)/Electronic control element (Inmotion)	87
62	254198501062 电源连接器总成/Power connector assembly	88
63	254198501063 锂电池及附配重/Lithium Cell	89

254198501001 传动系统/Drive system					
序号/NO	编码/SN	Name	名称	数量/QTY	备注/Remark
1	254113510001	Drive axle(DW)	驱动桥 (DW)	1	选装/Optional
1	254113512001	Drive axle(KD)	驱动桥 (KD)	1	选装/Optional
2	255013520005	Seal washer	密封垫	1	
3	255014010002	Gear box (ZN)	变速箱 (ZN)	1	选装/Optional
	255014012002	Gear box (JD)	减速箱总 (JD)	1	选装/Optional
4	910600100021	Dowel pin GB119.2-8x25	圆柱销GB119.2-8x25	1	
5	910400100007	Washer GB97.1-10-200HV	平垫圈GB97.1-10-200HV	12	
6	910400500007	Washer GB93-10	弹簧垫圈GB93-10	12	
7	910100400004	Bolt GB5786-M10x1.25x30-8.8	螺栓GB5786-M10x1.25x30-8.8	12	
8	910300900002	Nut GB6178-M20-8	螺母GB6178-M20-8	1	
9	910400100009	Washer GB97.1-14-200HV	平垫圈GB97.1-14-200HV	5	
10	910400500009	Washer GB93-14	弹簧垫圈GB93-14	5	
11	910100200010	Bolt GB5785-M14x1.5x50-8.8	螺栓GB5785-M14x1.5x50-8.8	5	
12	910600600037	Split pin GB91-4x40	开口销GB91-4x40	1	
13	910400500012	Washer GB93-20	弹簧垫圈GB93-20	9	
14	910400100012	Washer GB97.1-20-200HV	平垫圈GB97.1-20-200HV	1	
15	910100500006	BoltGB31.1-M20x90-8.8	螺栓GB31.1-M20x90-8.8	1	
16	910800100020	O ring 90x2.65	O形圈-内90x2.65	1	
17	920900100044	Motor (HP)	电机 (HP)	1	选装/Optional
	920900100053	Motor (WN)	电机 (WN)	1	选装/Optional
18	255098513251	Encoder (HP)	编码器 (HP)	1	选装/Optional
	255098513253	Encoder (WN)	编码器 (WN)	1	选装/Optional



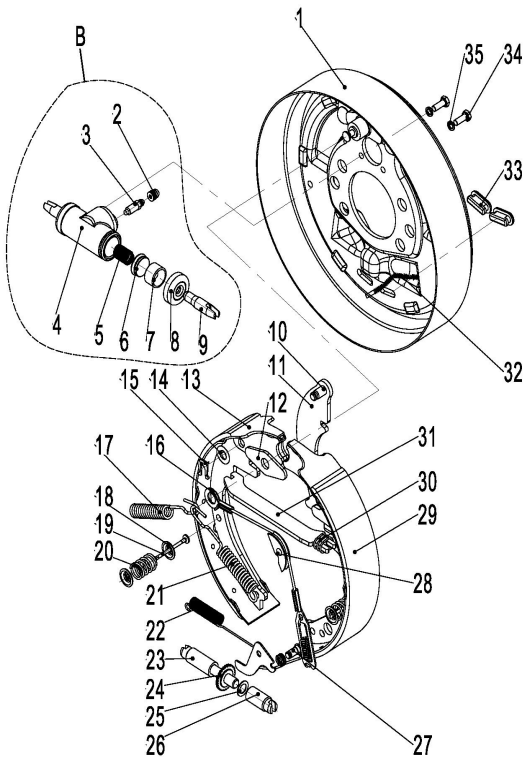
254198501002 驱动桥(DW)/Drive axle(DW)

序号/NO	编码/SN	Name	名称	数量/QTY	备注/Remark
1	910400500008	Spring washerGB93-12	弹簧垫圈GB93-12	16	
2	254198523502	Half shaft Bolt	螺栓M12X1.25	16	
3	254198523522	Half shaft	半轴	2	
4	254198523521	Half shaft seal washer	半轴垫	2	
5	253098526041	Rim nut	轮毂螺母	12	
6	254198523519	Hub	轮毂	2	
7	254198523512	Brake drum	制动鼓	2	
8	254198523520	Hub connecting bolt	轮毂螺栓	12	
9	254198523510	Brake bolt	制动器螺栓	4	
10	910400500009	Spring washerGB93-14	弹簧垫圈GB93-14	12	
11	254198523511	Brake bolt	制动器螺栓	8	
12	254198523505	axle housing	桥壳	1	
13	254198513501	Right brake assembly	右制动器总成	1	
14	254198523525	Pin 8X20	销8X20	1	
15	254198523503	Air hole assembly	通气塞总成	1	
16	254198513508	Left brake assembly	左制动器总成	1	
17	255098523504	Blocking	堵塞	3	
18	254198523526	O-ring	O形密封圈	2	
19	254198523516	Oil seal SD125X100X12	油封SD125X100X12	2	
20	254198523506	separate cover	挡环	2	
21	254198523513	Bearing 32012	轴承32013	2	
22	254198523514	Bearing 30213	轴承32012	2	
23	254198523527	O-ring D60x2.65	O形圈D60x2.65	2	
24	254198523528	Oil seal 95X75X10	骨架油封95X75X10	2	
25	254198523515	Oil seal ring	油封挡圈	2	
26	255098523507	Little round nut	圆螺母M60X2	4	
27	254198523509	round nut Brake gasket	圆螺母制动垫圈d=60	2	



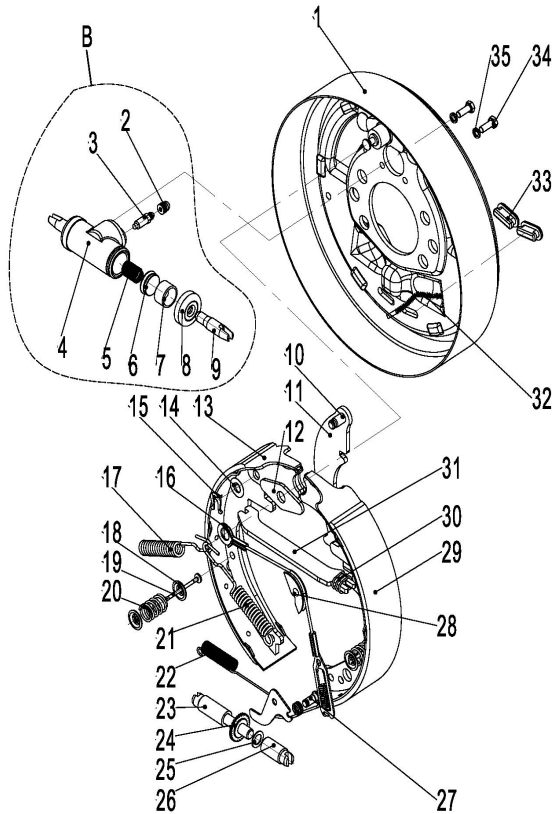
254198501003 制动器总成(DW)/Brake assembly (DW)

序号/NO	编码/SN	Name	名称	数量/QTY	备注/Remark
1	▲	Back plate assy	左制动器底板	2	
	▲	R.H.back plate	右制动器底板	1	
B	254198513505	Wheel cylinder assy	制动器分泵总成	2	
2	▲	Hood,drain screw	分泵放气螺钉罩	2	
3	▲	Screw,vent	分泵放气螺钉	2	
4	▲	Cylinder body	制动分泵缸体	2	
5	▲	Spring	分泵弹簧	2	
6	▲	Cup	分泵皮碗	2	
7	▲	Piston	分泵活塞	2	
8	▲	Support hood	分泵护罩	2	
9	▲	Rod,piston	分泵活塞顶杆	2	
10	▲	Pin	销钉	2	
11	▲	Pull rod	手制动拉杆	2	
12	▲	Heel block	垫块	2	
13	254198513509	Brake shoe & friction piece	制动蹄带摩擦片总成(前)	2	
14	▲	Washer	垫圈	2	
15	▲	Clip reed	卡簧	1	
16	▲	Wire unit,spring	弹簧线装置	2	
17	▲	Release spring	制动蹄左回位弹簧	2	
18	▲	Washer	垫圈	2	
19	▲	Seat,spring	弹簧座	2	
20	▲	Spring	弹簧	2	
21	▲	Return spring	制动蹄右回位弹簧	2	
22	▲	Spring	弹簧	2	
23	▲	Clearance adjuster	间隙调整器	2	
24	▲	pinion	小齿轮	2	
25	▲	Washer	垫圈	2	
26	▲	Adjust the stud	调整螺栓	2	
27	▲	pin	定位销	2	
28	▲	Guide block	导向块	2	
29	254198513510	Brake shoe & friction piece	制动蹄带摩擦片总成(后)	2	



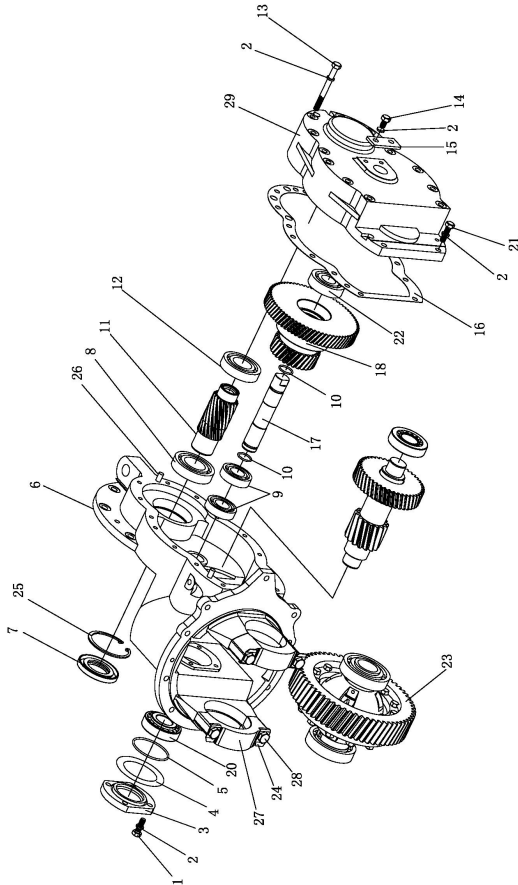
254198501005 制动器总成(KD)/Brake assembly (KD)

序号/NO	编码/SN	Name	名称	数量/QTY	备注/Remark
1	▲	Back plate assy	左制动器底板	2	
	▲	R.H.back plate	右制动器底板	1	
B	254198523564	Wheel cylinder assy	制动器分泵总成	2	
2	▲	Hood,drain screw	分泵放气螺钉罩	2	
3	▲	Screw,vent	分泵放气螺钉	2	
4	▲	Cylinder body	制动分泵缸体	2	
5	▲	Spring	分泵弹簧	2	
6	▲	Cup	分泵皮碗	2	
7	▲	Piston	分泵活塞	2	
8	▲	Support hood	分泵护罩	2	
9	▲	Rod,piston	分泵活塞顶杆	2	
10	▲	Pin	销钉	2	
11	▲	Pull rod	手制动拉杆	2	
12	▲	Heel block	垫块	2	
13	254198523565	Brake shoe & friction piece	制动蹄带摩擦片总成(前)	2	
14	▲	Washer	垫圈	2	
15	▲	Clip reed	卡簧	1	
16	▲	Wire unit,spring	弹簧线装置	2	
17	▲	Release spring	制动蹄左回位弹簧	2	
18	▲	Washer	垫圈	2	
19	▲	Seat,spring	弹簧座	2	
20	▲	Spring	弹簧	2	
21	▲	Return spring	制动蹄右回位弹簧	2	
22	▲	Spring	弹簧	2	
23	▲	Clearance adjuster	间隙调整器	2	
24	▲	pinion	小齿轮	2	
25	▲	Washer	垫圈	2	
26	▲	Adjust the stud	调整螺栓	2	
27	▲	pin	定位销	2	
28	▲	Guide block	导向块	2	
29	254198513566	Brake shoe & friction piece	制动蹄带摩擦片总成(后)	2	



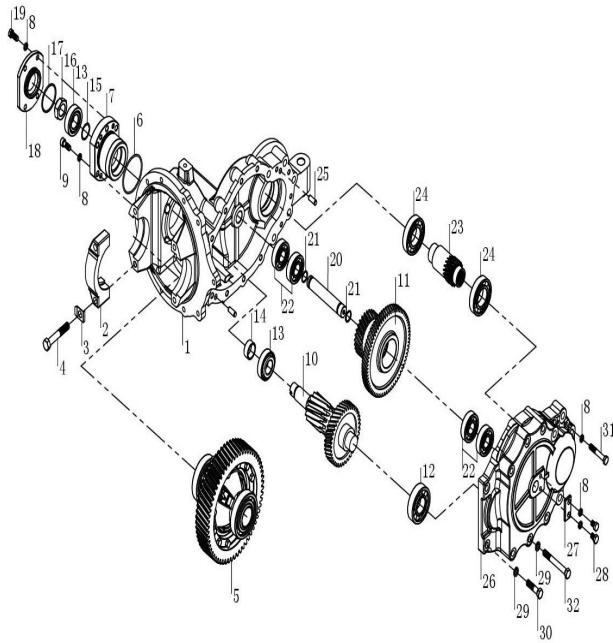
254198501006 变速箱 (ZN) /Gear box (ZN)

序号/NO	编码/SN	Name	名称	数量/QTY	备注/Remark
1	910100300036	Bolt	螺栓M10X25	4	
2	910400500007	Spring washer	弹簧垫圈10	20	
3	255098524003	Bearing cap	轴承盖	1	
4	255098524004	Spacer	垫片	4	
5	910800100032	O seal ring	O形密封圈75X3. 1	1	
6	255098524006	Box	箱体	1	
7	255098524007	Oil seal	油封TC45X85X10	1	
8	910700200024	Bearing6209	深沟球轴承6209	1	
9	910700200021	Bearing6206	深沟球轴承6206	3	
10	255098524010	O-ring	O形密封圈25X2. 65	2	
11	255098524011	Input shaft assembly	输入轴组件	1	
12	910700200023	Bearing6208	深沟球轴承6208	1	
13	910100100125	Bolt M10X100	螺栓M10X100	12	
14	910100300034	Bolt M10X16	螺栓M10X16	2	
15	255098524017	Stop dog	挡块	1	
16	255098524019	Paper pad	纸垫	1	
17	255098524020	axle	轴	1	
18	255098524021	Gear	双联齿轮	1	
19	255098524022	Gear assembly	齿轴组件	1	
20	255098524023	Bearing32207	圆锥滚子轴承32207	2	
21	910100300038	Bolt M10X35	螺栓M10X35	2	
22	255098524042	Bearing 6306	深沟球轴承6306	1	
23	255098524043	Differential assembly	差速器总成	1	
24	255098524027	Locking plate	锁片	4	
25	255098524044	Hole with elastic retainer 85	孔用弹性挡圈85	1	
26	910600100013	Pin6X20	圆柱销6X20	2	
27	255098524025	Bearing seat	轴承座	2	
28	255098524026	Bolt	螺栓	4	
29	255098524018	Box cover	箱盖	1	



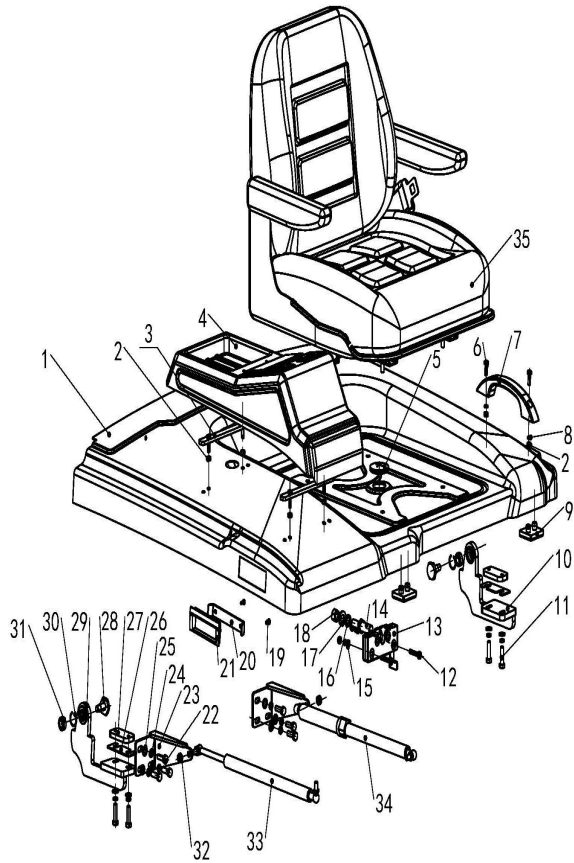
254198501008 变速箱(JD)/Gear box (JD)

序号/NO	编码/SN	Name	名称	数量/QTY	备注/Remark
1	254198524001	Box	箱体	1	
2	254198524002	Bearing pedestal	轴承座	2	
3	254198524003	Lock plate	锁片	4	
4	254198524004	Box	螺栓	4	
5	254198524005	Differential assembly	差速器总成	1	
6	254198524006	O-ring 85×3.1	O形密封圈85×3.1	1	
7	254198524007	Bearing pedestal	轴承座	1	
8	254198524008	Spring washer 10	弹簧垫圈10	16	
9	254198524009	Bolt M10×25	螺栓M10×25	6	
10	254198524010	Twin gear shaf	齿轴	1	
11	254198524011	Twin gear	双联齿轮	1	
12	254198524012	Bearing NJ307E	轴承NJ307E	1	
13	254198524013	Bearing 32206	轴承32206	2	
14	254198524014	Bush	衬套	1	
15	254198524015	Adjustable pad	调整垫	按需	
16	254198524016	Locknut	锁紧螺母	1	
17	254198524017	O-ring 62×3.1	O形密封圈62×3.1	1	
18	254198524018	End cover	端盖	1	
19	254198524019	Bolt M10×1.25x25	螺栓M10×1.25×25	4	
20	254198524020	Axle	轴	1	
21	254198524021	O-ring 30×2.4	O型密封圈30×2.4	2	
22	254198524022	Bearing 6206/p5	轴承6206/p5	2	
23	254198524023	Bearing 6306/p5	轴承6306/p5	1	
24	254198524024	Input gear	输入齿轮	1	
25	254198524025	Bearing 6208	轴承	2	
26	254198524026	Pin B10×28	销B10×28	2	
27	254198524027	Case cover	箱盖	1	
28	254198524028	Batter board	定位板	1	
29	254198524029	Bolt M10×1.25×15	螺栓M10×1.25×15	2	
30	254198524030	Spring washer 12	弹簧垫圈12	8	
31	254198524031	Bolt M12×1.25×50	螺栓M12×1.25×50	2	



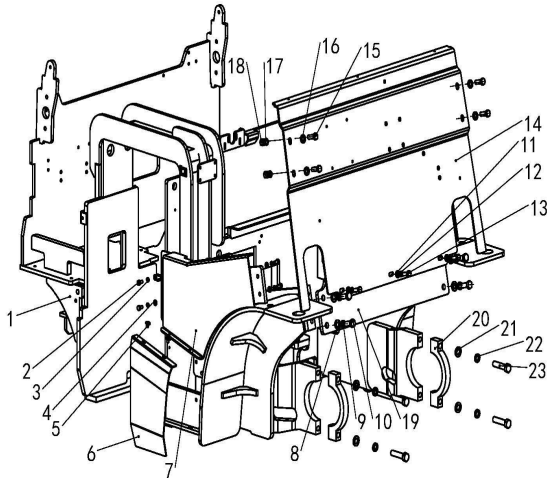
254198501014 电瓶箱盖/Battery box cover

序号/NO	编码/SN	Name	名称	数量/QTY	备注/Remark
1	254121010002	Batthey box cover welding	电瓶箱盖焊合	1	
2	910300100005	Nut GB6170-M6-10	螺母GB6170-M6-10	8	
3	255021010016	Pressing plate weiding	压板焊合	2	
4	255021020003	Trim	装饰盖	1	
5	255021020046	Guard cicle φ35	保护圈 φ35	1	
6	910200500053	ScrewGB818-M6x20-4.8	螺钉GB818-M6x20-4.8	2	
7	255021020020	Handle	拉手	1	
8	910400500005	WasherGB93-6	弹簧垫圈GB93-6	4	
9	255021020068	Damping pad	缓冲垫	2	
10	255021010005	Hinge welding (left)	铰链焊合(左)	1	
11	910100300024	Bolt GB5783-M8x30-8.8	螺栓GB5783-M8x30-8.8	4	
12	910200500056	Screw GB818-M6x35-4.8	螺钉GB818-M6x35-4.8	2	
13	255021010010	Head cover lock	顶盖锁	1	
14	255021020052	Lock tongue 2	锁舌2	1	
15	910400100005	Washer GB97.1-6-200HV	平垫圈GB97.1-6-200HV	2	
16	910400500008	WasherGB93-12	弹簧垫圈GB93-12	1	
17	910400100008	WasherGB97.1-12-200HV	平垫圈GB97.1-12-200HV	1	
18	910300100008	Nut GB6170-M12-10	螺母GB6170-M12-10	1	
19	910200500021	Screw GB818-M4x10-4.8	螺钉GB818-M4x10-4.8	2	
20	255021020055	Fixing plate	固定板	1	
21	255021020021	Handle(inside)	拉手(内)	1	
22	910100300023	Bolt GB5783-M8x25-8.8	螺栓GB5783-M8x25-8.8	6	
23	255021020047	Holder	支架	2	
24	910400500006	Washer GB93-8	弹簧垫圈GB93-8	10	
25	910400100006	Washer GB97.1-8-200HV	平垫圈GB97.1-8-200HV	10	
26	255021020054	Adjusting pad	调整垫	2	
27	255021020045	Bed plate	座板	2	
28	255021020043	Bolt	固定螺栓	2	
29	255021010006	Hinge welding (right)	铰链焊合(右)	1	
30	910401500001	Circlip GB895.1-22	孔用钢丝挡圈GB895.1-22	2	
31	255021010014	BearingGE12E	关节轴承GE12E	2	



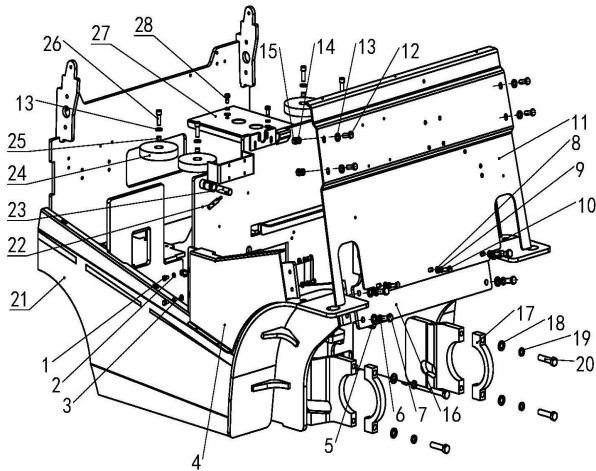
254198501020 车架(侧出式) /Frame(Side out type)

序号/NO	编码/SN	Name	名称	数量/QTY	备注/Remark
1	254121510020	Frame welding	车架焊合	1	
2	910100300020	Bolt GB5783-M8x16-8.8	螺栓GB5783-M8x16-8.8	4	
3	910400500006	Washer GB93-8	弹簧垫圈GB93-8	4	
4	910400100006	Washer GB97.1-8-200HV	平垫圈GB97.1-8-200HV	4	
5	941100100001	Screw M8X12-8.8	螺钉M8X12-8.8	2	
6	255021510004	Side plate welding	侧板焊合(右外)	1	
7	255021510001	Baffle welding	挡板焊合(右前)	1	
8	910400100009	Washer GB97.1-14-200HV	平垫圈GB97.1-14-200HV	4	
9	910400500009	Washer GB93-14	弹簧垫圈GB93-14	4	
10	910100300063	Bolt GB5783-M14x35-8.8	螺栓GB5783-M14x35-8.8	4	
11	910400100007	Washer GB97.1-10-200HV	平垫圈GB97.1-10-200HV	3	
12	910400500007	Washer GB93-10	弹簧垫圈GB93-10	3	
13	910100300037	Bolt GB5783-M10x30-8.8	螺栓GB5783-M10x30-8.8	3	
14	255021510009	Indicator welding	仪表架焊合	1	
15	910100300051	BoltGB5783-M12x35-8.8	螺栓GB5783-M12x35-8.8	4	
16	910400100008	Washer GB97.1-12-200HV	平垫圈GB97.1-12-200HV	4	
17	910400500008	Washer GB93-12	弹簧垫圈GB93-12	4	
18	910300100008	Nut GB6170-M12-10	螺母GB6170-M12-10	4	
19	254121510010	Plate welding	前联板焊合	1	
20	251021520001	Cover	盖	2	
21	910400100010	Washer GB97.1-16-200HV	平垫圈GB97.1-16-200HV	4	
22	910400500012	Washer GB93-8	弹簧垫圈GB93-20	4	
23	910100200016	Bolt GB5785-M16x1.5x70-8.8	螺栓GB5785-M16x1.5x70-8.8	4	



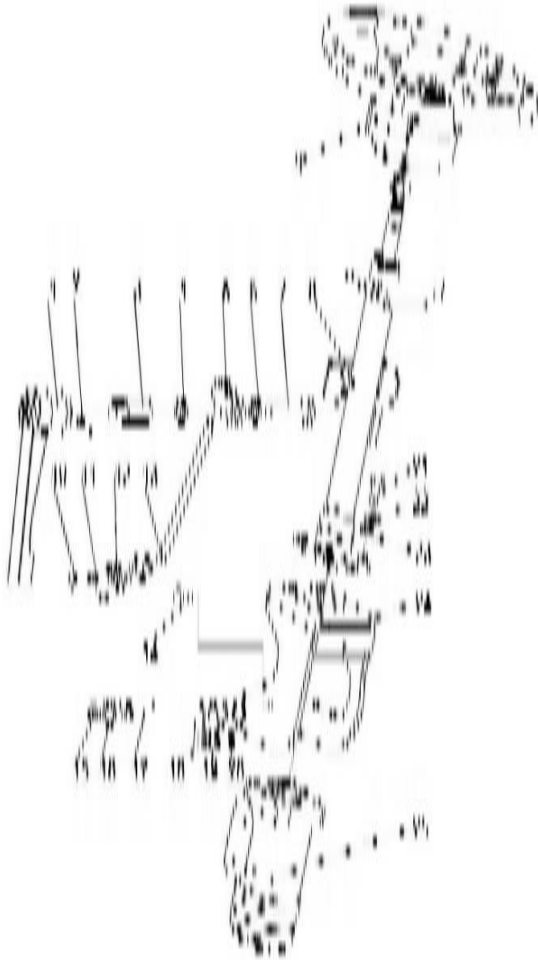
254198501021 车架(吊装式) /Frame(hoisting)

序号/NO	编码/SN	Name	名称	数量/QTY	备注/Remark
1	910100300020	Bolt GB5783-M8x16-8.8	螺栓GB5783-M8x16-8.8	4	
2	910400500006	Washer GB93-8	弹簧垫圈GB93-8	4	
3	910400100006	Washer GB97.1-8-200HV	平垫圈GB97.1-8-200HV	4	
4	255021510001	Baffle welding	挡板焊合(右前)	1	
5	910400100009	Washer GB97.1-14-200HV	平垫圈GB97.1-14-200HV	4	
6	910400500009	Washer GB93-14	弹簧垫圈GB93-14	4	
7	910100300063	Bolt GB5783-M14x35-8.8	螺栓GB5783-M14x35-8.8	4	
8	910400100007	Washer GB97.1-10-200HV	平垫圈GB97.1-10-200HV	5	
9	910400500007	Washer GB93-10	弹簧垫圈GB93-10	5	
10	910100300037	Bolt GB5783-M10x30-8.8	螺栓GB5783-M10x30-8.8	3	
11	255021510009	Indicator holder welding	仪表架焊合	1	
12	910100300051	Bolt GB5783-M12x35-8.8	螺栓GB5783-M12x35-8.8	4	
13	910400100008	Washer GB97.1-12-200HV	平垫圈GB97.1-12-200HV	8	
14	910400500008	Washer GB93-12	弹簧垫圈GB93-12	4	
15	910300100008	Nut GB6170-M12-10	螺母GB6170-M12-10	4	
16	254121510010	Plate welding	前联板焊合	1	
17	251021520001	Cover	盖	2	
18	910400100010	Washer GB97.1-16-200HV	平垫圈GB97.1-16-200HV	4	
19	910400500012	Washer GB93-20	弹簧垫圈GB93-20	4	
20	910100200016	Bolt GB5785-M16x1.5x70-8.8	螺栓GB5785-M16x1.5x70-8.8	4	
21	254121510021	Frame welding (hoisting)	车架焊合(起吊)	1	
22	255021520100	Dial rod	拨杆	1	
23	255021520099	Safe pin	保险销	1	
24	255021520107	Anti vibration pad $\phi 140 \times \phi 13 \times 25$	减震垫 $\phi 140 \times \phi 13 \times 25$	4	
25	253521520063	Spacer $\Phi 14.5 \times \Phi 12.2 \times 10$	隔套 $\Phi 14.5 \times \Phi 12.2 \times 10$	4	
26	910200200099	Screw GB70.1-M12x35-8.8	螺钉GB70.1-M12x35-8.8	4	
27	254121520101	Cover plate	盖板	1	
28	910100300035	Bolt GB5783-M10x30-8.8	螺栓GB5783-M10x30-8.8	2	

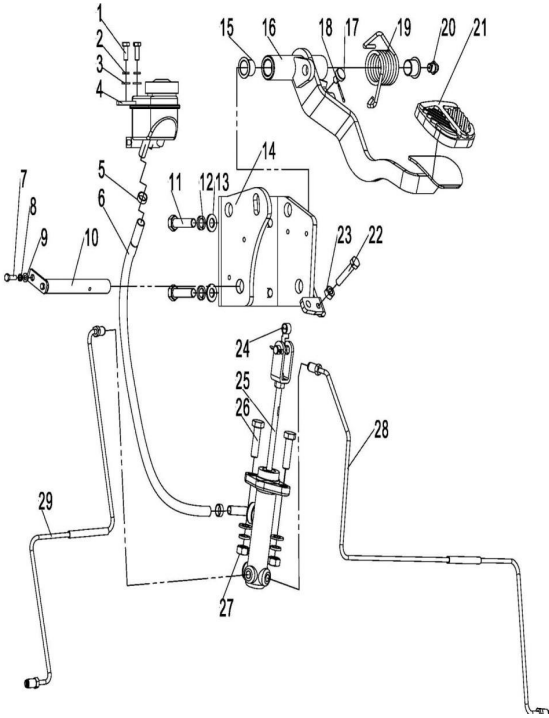


254198501023 转向装置及安装/Steering mechanism and installatio

序号/NO	编码/SN	Name	名称	数量/QTY	备注/Remark
1	255015010007	Adjustable handle	可调手柄	1	
2	910600400015	Dowel pin GB879.1-4x30	弹性圆柱销GB879.1-4x30	1	
3	255015020025	Packing set	锁紧套	1	
4	255015020018	WasherΦ20xΦ12x8	垫圈Φ20xΦ12x8	1	
5	255015020019	Latch segment	锁紧块	1	
6	910300300006	Nut GB6172.1-M12-05	螺母GB6172.1-M12-05	1	
7	910100300057	Bolt GB5783-M12x70-8.8	螺栓GB5783-M12x70-8.8	1	
8	255015010001	Steering column	转向管柱总成	1	
9	255015010003	Steering wheel	方向盘	1	
10	910600700014	Short axle GB882-6x26x1.6	销轴GB882-6x26x1.6	1	
11	910600600005	Split pin GB91-1.6x10	开口销GB91-1.6x10	1	
12	255015020002	Fixed seat	固定座	1	
13	255015010005	Adjustable lever	调节杆焊合	1	
14	255015020021	Screw	调节螺钉	1	
15	911200100004	Grease nipple JB7940.1-M10x1	油杯JB7940.1-M10x1	1	
16	940500200016	Bushing Φ16xΦ18x16-SF-1	复合套(带肩)Φ16xΦ18x16-SF-1	2	
17	255011510003	Shaft Φ16x135	带耳轴Φ16x135	1	
18	910400100005	Washer GB97.1-6-200HV	平垫圈GB97.1-6-200HV	1	
19	910400500005	Washer GB93-6	弹簧垫圈GB93-6	1	
20	910100300009	Bolt GB5783-M6x12-8.8	螺栓GB5783-M6x12-8.8	1	
21	910100300036	Bolt GB5783-M10x25-8.8	螺栓GB5783-M10x25-8.8	4	
22	910400500007	Washer GB93-10	弹簧垫圈GB93-10	4	
23	910400100007	Washer GB97.1-10-200HV	平垫圈GB97.1-10-200HV	4	
24	255015010004	Support welding	支座焊合	1	
25	254115010002	Steering gear	转向器	1	

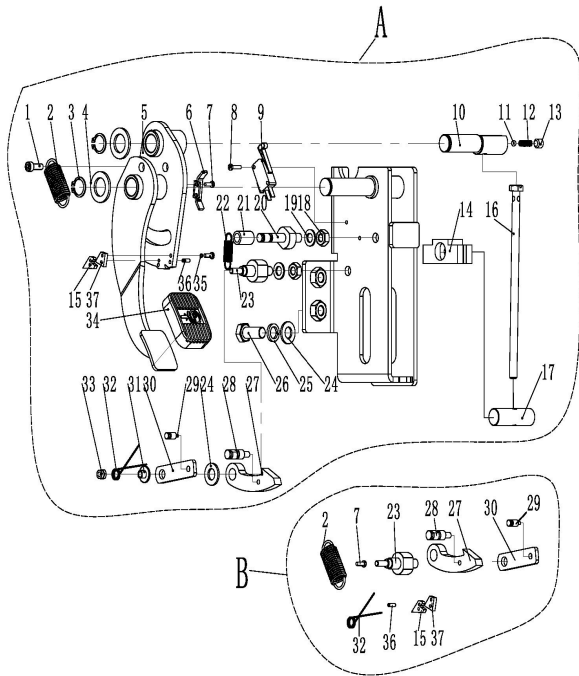


254198501024 脚制动操纵/Foot brake						
序号/NO	编码/SN	Name	名称	数量/QTY	备注/Remark	
1	910100300010	Bolt GB5783-M6x16-8.8	螺栓GB5783-M6x16-8.8	2		
2	910400500005	Washer GB93-6	弹簧垫圈GB93-6	2		
3	910400100005	Washer GB97.1-6-200HV	平垫圈GB97.1-6-200HV	2		
4	255011510006	Grease nipple	油杯	1		
5	911000600001	Hose clamp QC/T390-(11-14)	喉箍QC/T390-(11-14)	2		
6	255011520021	Connecting pipe	连接管	1		
7	910100300003	Bolt GB5783-M5x12-8.8	螺栓GB5783-M5x12-8.8	1		
8	910400500004	Washer GB93-5	弹簧垫圈GB93-5	1		
9	910400100004	Washer GB97.1-5-200HV	平垫圈GB97.1-5-200HV	1		
10	255011510003	Axle $\Phi 16 \times 135$	带耳轴 $\Phi 16 \times 135$	1		
11	910100300039	Bolt GB5783-M10x40-8.8	螺栓GB5783-M10x40-8.8	4		
12	910400500007	Washer GB93-10	弹簧垫圈GB93-10	6		
13	910400100007	Washer GB97.1-10-200HV	平垫圈GB97.1-10-200HV	6		
14	255011510004	Foot brake holder welding	脚制动支架焊合	1		
15	940500100006	Bushing $\Phi 16 \times \Phi 18 \times 15$ -SF-1	复合套 $\Phi 16 \times \Phi 18 \times 15$ -SF-1	2		
16	255011510002	Pedal weiding	踏板焊合	1		
17	255011520010	Damping pad	缓冲垫	1		
18	910600600015	Split pin GB91-2x20	开口销GB91-2x20	1		
19	255011520008	Spring	扭簧	1		
20	911200100004	Grease nipple JB7940.1-M10x1	油杯JB7940.1-M10x1	1		
21	255011520013	Pedal (rubber)	踏板(橡胶)	1		
22	910100100023	Bolt GB5782-M8x45-8.8	螺栓GB5782-M8x45-8.8	1		
23	910300100006	Nut GB6170-M8-10	螺母GB6170-M8-10	1		
24	940500100048	Bushing $\Phi 10 \times \Phi 12 \times 8$ -SF-1	复合套 $\Phi 10 \times \Phi 12 \times 8$ -SF-1	1		
25	255011510001	Brake pump assembly	制动泵总成	1		
26	910100300038	Bolt GB5783-M10x35-8.8	螺栓GB5783-M10x35-8.8	2		
27	910300100007	Nut GB6170-M10-10	螺母GB6170-M10-10	2		
28	255011510009	Hydraulic steel pipe welding 2	液压钢管焊合2	1		
29	255011510010	Hydraulic steel pipe welding 1	液压钢管焊合1	1		



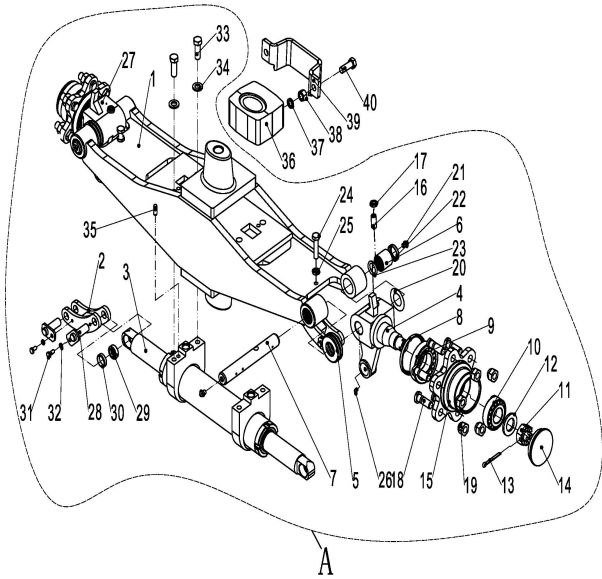
254198501025 停车制动操纵/Parking brake

序号/NO	编码/SN	Name	名称	数量/QTY	备注/Remark
A	255012010001	parking brake	驻车制动总成	1	
1	▲	Screw GB70.1-M5x16-8.8	螺钉GB70.1-M5x16-8.8	1	
2	▲	Spring 2	拉簧2	1	
3	▲	Circlip GB894.1-16	轴用弹性挡圈GB894.1-16	2	
4	▲	Washer GB97.1-16-200HV	平垫圈GB97.1-16-200HV	2	
5	▲	Pedal welding	踏板焊合	1	
6	▲	Baffle	挡板	1	
7	▲	Screw GB818-M3x8-4.8	螺钉GB818-M3x8-4.8	5	
8	▲	Screw GB818-M3x20-4.8	螺钉GB818-M3x20-4.8	2	
9	920200300009	Micro switch	微动开关	1	
10	▲	Shaft	挡轴	1	
11	▲	Steel ball GB308-5.5	钢球GB308-5.5	1	
12	▲	Spring	压簧	1	
13	▲	Screw GB77-M8x8-45H	螺钉GB77-M8x8-45H	1	
14	▲	Assembly seat	安装座	1	
15	▲	Board 3	板3	1	
16	▲	M8x170 Bolt	M8x170螺栓	1	
17	▲	Axle	挡轴	1	
18	▲	Nut GB6170-M8-10	螺母GB6170-M8-10	2	
19	▲	Washer GB97.1-8-200HV	平垫圈GB97.1-8-200HV	2	
20	▲	Axle 3	轴3	1	
21	▲	Polyurethane tube	聚氨酯管	1	
22	▲	Spring 1	拉簧1	1	
23	▲	Axle 4	轴4	1	
24	▲	Washer GB97.1-10-200HV	平垫圈GB97.1-10-200HV	4	
25	▲	Washer GB93-10	弹簧垫圈GB93-10	3	
26	▲	Bolt GB5783-M10x25-8.8	螺栓GB5783-M10x25-8.8	3	
27	▲	Board 2	板2	1	
28	▲	Axle 1	轴1	1	
29	▲	Axle 2	轴2	1	
30	▲	Board 1	板1	1	



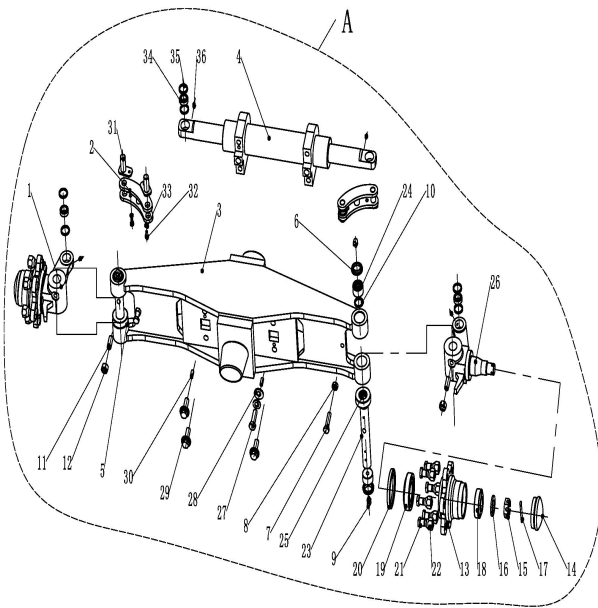
254198501028 转向桥及安装(DW)/Steering axle and installation (DW)

序号/NO	编码/SN	Name	名称	数量/QTY	备注/Remark
A	254116010001	1.5T steering axle	1.5T转向桥	1	
1	254198526001	Steering bridge assembly	转向桥体总成	1	
2	254198526002	Linking rod	连杆	2	
3	254198516003	Steering cylinder assembly	转向油缸总成	1	
4	254198526004	Right knuckle	右转向节总成	1	
5	254198526005	Bearing198905	单向推力轴承198905	2	
6	254198526006	Bearing 943/25	滚针轴承943/25	2	
7	254198526007	Pin	转向节主销	2	
8	254198526009	framework seal ring	骨架油封	2	
9	254198526011	Bearing 30208	轴承30208	2	
10	254198526012	Bearing 30206	轴承30206	2	
11	254198526013	Hexagonal groove nut M24x2	螺母M24x2	2	
12	910400100014	Washer GB97.1-24-200HV	垫圈24	2	
13	910600600038	Pin 5x50	销5x50	2	
14	254198526015	Wheel hub cover	轮毂盖	2	
15	254198526016	Steering wheel hub	转向轮毂	2	
16	255098526017	Strict bolt	内六角锥端紧定螺钉M12X30	2	
17	910300100008	Nut GB6170-M12-10	螺母M12	2	
18	254198526040	Rim Bolt	轮毂螺栓	12	
19	254198526041	Rim Nut(M14X1.5)	轮毂螺母	12	
20	254198526010	Pad	转向节调整垫	4	
21	253098526025	Grease nipple (90°)	弯颈式油嘴Q701B45	2	
22	254198516023	Oil seal	铁壳油封	4	
23	254198526022	O ring	O型圈	2	
24	910100300039	Bolt M10X40	螺栓M10x40	2	
25	910300100007	Nut GB6170-M10-10	螺母M10	12	
26	253098526019	Grease nipple	直通油嘴Q700B06	4	
27	254198526020	Left knuckle	左转向节	1	
28	254198526026	Linking pin	连杆销	4	
29	254198526027	Joint bearing GE15ES	关节轴承GE15ES	4	
30	254198526018	Bushing	衬套	4	

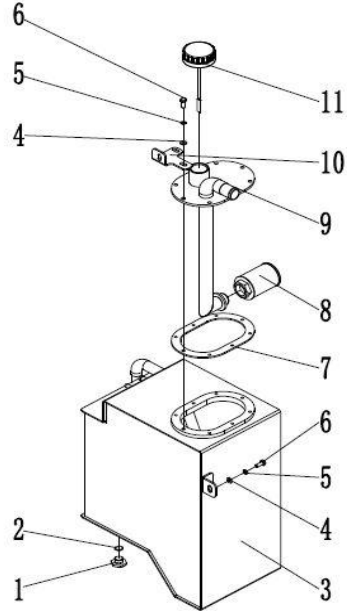


254198501030 转向桥及安装(KD)/Steering axle and installation(KD)

序号/NO	编码/SN	Name	名称	数量/QTY	备注/Remark
A	254116013001	1.5T steering axle(KD)	1.5T转向桥(KD)	40	
1	254198526050	Left knuckle assembly	左转向节总成	1	
2	254198526051	Linking rod	连杆	2	
3	254198526052	Steering bridge assembly	转向桥体	1	
4	254198526053	Steering cylinder assembly	转向油缸总成	1	
5	254198526054	Pad	转向节调整垫	4	
6	254198526055	framework seal ring	防尘油封	2	
7	254198526056	Bolt M10X1.25X40	螺栓M10x1.25x40	2	
8	254198526057	Nut GB6170-M10-10	螺母M10x1.25	12	
9	254198526058	Grease nipple (90°)	压注油杯(90°)	2	
10	254198526059	O ring	O型圈	2	
11	254198526060	Bolt M10X40	紧定螺钉M12X35	2	
12	254198526061	Nut GB6170-M10-10	螺母M12	12	
13	254198526062	Steering wheel hub	转向轮毂	2	
14	254198526063	Wheel hub cover	轮毂盖	2	
15	254198526064	Hexagonal groove nut M24x2	六角开槽螺母M24x2	2	
16	254198526065	Washer GB97.1-24-200HV	平垫圈24	2	
17	254198526066	Pin 5x45	销5x45	2	
18	254198526067	Bearing 30206	圆锥滚子轴承30206	2	
19	254198526068	Bearing 30208	圆锥滚子轴承30208	2	
20	254198526069	framework seal ring	骨架密封圈	2	
21	254198526070	Rim Bolt	轮辋螺栓	12	
22	254198526071	Rim Nut(M14X1.5)	轮辋螺母	12	
23	254198526072	Pin	转向节主销	2	
24	254198526073	Bearing 942/25	滚针轴承942/25	2	
25	254198526074	Bearing	单向推力轴承	2	
26	254198526075	Right knuckle	右转向节总成	1	
27	254198526076	Bolt M10X40	螺栓M12x40	2	
28	254198526077	Washer 12	垫圈12	4	
29	254198526078	Washer GB93-12	弹簧垫圈12	4	
30	254198526079	Dowel pin8x20	普通圆柱销A型	2	



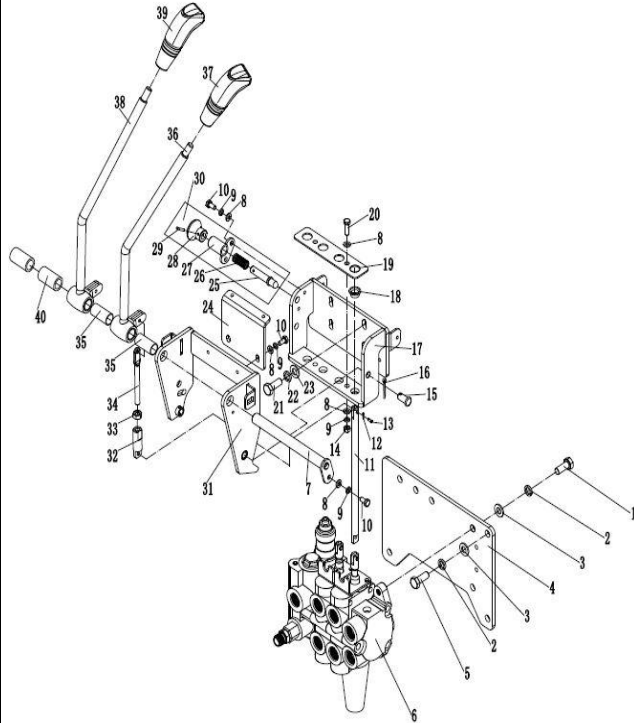
254198501033 工作油箱装置及安装/Working tank and installation



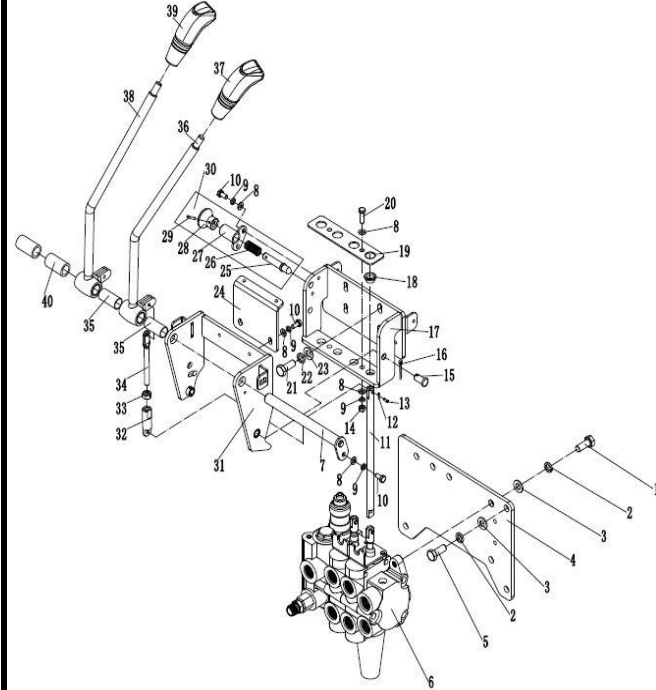
序号/NO	编码/SN	Name	名称	数量/QTY	备注/Remark
1	255019020015	Drain plug M20x1.5	放油塞M20x1.5	1	
2	910800900001	Washer JB982-20	组合垫圈JB982-20	1	
3	255019010001	Cylinder welding	油箱焊合	1	
4	910400100006	Washer GB97.1-8-200HV	平垫圈GB97.1-8-200HV	10	
5	910400500006	Washer GB93-8	弹簧垫圈GB93-8	10	
6	910100300022	Bolt GB5783-M8x20-8.8	螺栓GB5783-M8x20-8.8	10	
7	255019020013	Sealing gasket	密封垫	1	
8	255019010004	Screen filter	网式过滤器	1	
9	255019010002	Cover plate welding	盖板焊合	1	
10	255019020012	Fixing plate 2	固定板2	1	
11	255019010003	Oil dipstick assembly	油尺塞总成	1	

254198501034 多路换向阀操纵(二联)/Multiple directional control valve (bigeminy)

序号/NO	编码/SN	Name	名称	数量/QTY	备注/Remark
1	910100400003	Bolt GB5786-M10x1.25x25-8.8	螺栓GB5786-M10x1.25x25-8.8	3	
2	910400500007	Washer GB93-10	弹簧垫圈GB93-10	6	
3	910400100007	Washer GB97.1-10-200HV	平垫圈GB97.1-10-200HV	6	
4	255024520024	Supporting plate	支架板	1	
5	910100300036	Bolt GB5783-M10x25-8.8	螺栓GB5783-M10x25-8.8	3	
6	255024510007	Multi way valve (four combined)	多路阀(二联)	1	
7	255024510009	Axle $\phi 16 \times 168$	带耳轴 $\phi 16 \times 168$	1	
8	910400100005	Washer GB97.1-6-200HV	平垫圈GB97.1-6-200HV	9	
9	910400500005	Washer GB93-6	弹簧垫圈GB93-6	7	
10	910100300009	Bolt GB5783-M6x12-8.8	螺栓GB5783-M6x12-8.8	5	
11	255024520018	Transition rod	过渡杆	3	
12	910600600026	Split pin GB91-3.2x20	开口销GB91-3.2x20	6	
13	910600700032	Short axle GB882-10x20c1B	销轴GB882-10x20c1B	6	
14	910300100005	Nut GB6170-M6-10	螺母GB6170-M6-10	2	
15	910600600026	Split pin GB91-3.2x20	开口销GB91-3.2x20	2	
16	910600700032	Short axle GB882-10x20c1B	销轴GB882-10x20c1B	2	
17	255024510002	Fixed seat	固定座	1	
18	940500200022	Bushing $\phi 12 \times \phi 14 \times 20$ -SF-1	复合套(带肩) $\phi 12 \times \phi 14 \times 20$ -SF-1	2	
19	255024520016	Pressing plate	压板	1	
20	910100300011	Bolt GB5783-M6x20-8.8	螺栓GB5783-M6x20-8.8	2	
21	910100300023	Bolt GB5783-M8x25-8.8	螺栓GB5783-M8x25-8.8	4	
22	910400500006	Washer GB93-8	弹簧垫圈GB93-8	4	
23	910400100006	Washer GB97.1-8-200HV	平垫圈GB97.1-8-200HV	4	
24	255024520001	Fixing plate	固定板	1	
25	▲	Axle $\phi 10 \times 60$	手柄轴 $\phi 10 \times 60$	1	
26	▲	Spring	压簧	1	
27	▲	Axle $\phi 18 \times 27.5$	带耳轴 $\phi 18 \times 27.5$	1	
28	▲	Handle	手柄	1	
29	▲	Dowel pin GB879.1-3x16	弹性圆柱销GB879.1-3x16	1	
30	255024510006	Handle assembly	解锁手柄总成	1	Inc. 25-29
31	255024510001	Holder welding	支架焊合	1	



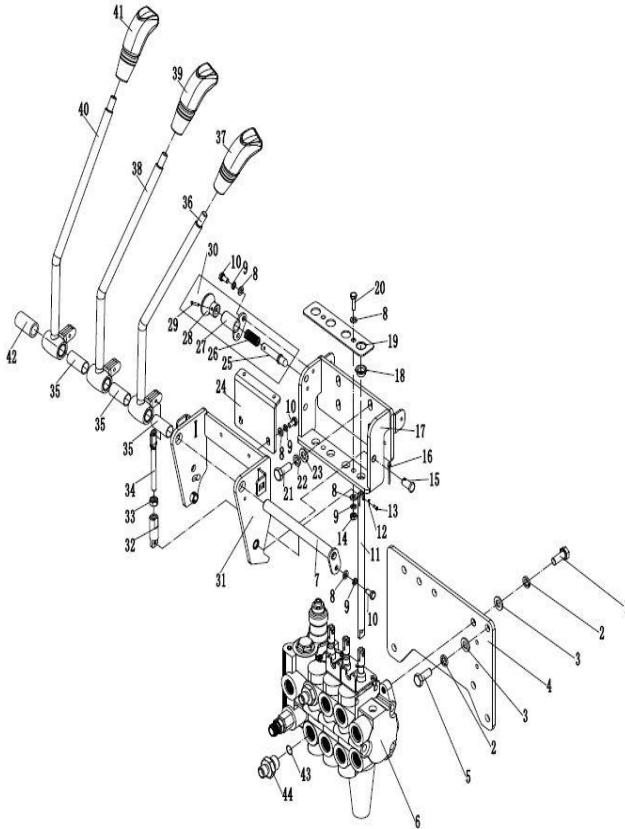
254198501034 多路换向阀操纵(二联)/Multiple directional control valve (bigeminy)



序号/NO	编码/SN	Name	名称	数量/QTY	备注/Remark
32	250525020008	Joint	接头	2	
33	910300100006	NutGB6170-M8-10	螺母GB6170-M8-10	2	
34	255024520017	Connecting rod	连接杆	2	
35	255024520025	Bearing bushing $\phi 18 \times \phi 16 \times 37$	无油轴承套 $\phi 18 \times \phi 16 \times 37$	2	
36	255024510004	Control lever welding (lifting)	操纵杆焊接(起升)	1	
37	255024520022	Handle ball (lifting)	手柄球(起升)	1	
38	255024510005	Control lever welding (slope)	操纵杆焊接(倾斜)	1	
39	255024520023	Handle ball (slope)	手柄球(倾斜)	1	
40	255024520028	Sleeve	轴套	2	

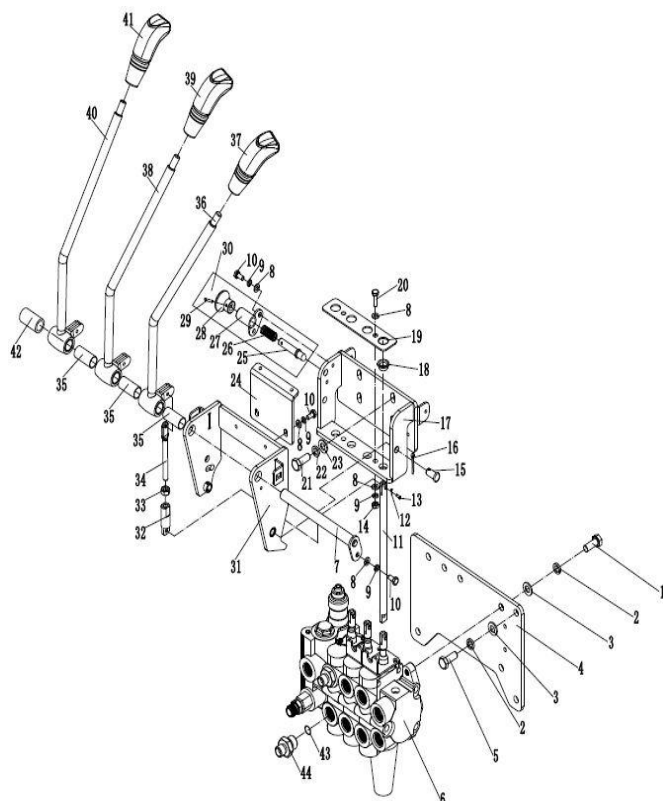
254198501035 多路换向阀操纵(三联)/Multiple directional control valve (trigeminy)

序号/NO	编码/SN	Name	名称	数量/QTY	备注/Remark
1	910100400003	Bolt GB5786-M10x1.25x25-8.8	螺栓GB5786-M10x1.25x25-8.8	3	
2	910400500007	Washer GB93-10	弹簧垫圈GB93-10	6	
3	910400100007	Washer GB97.1-10-200HV	平垫圈GB97.1-10-200HV	6	
4	255024520024	Supporting plate	支架板	1	
5	910100300036	Bolt GB5783-M10x25-8.8	螺栓GB5783-M10x25-8.8	3	
6	255025010002	Multi way valve (four combined)	多路阀(三联)	1	
7	255024510009	Axle $\phi 16 \times 168$	带耳轴 $\phi 16 \times 168$	1	
8	910400100005	Washer GB97.1-6-200HV	平垫圈GB97.1-6-200HV	9	
9	910400500005	Washer GB93-6	弹簧垫圈GB93-6	7	
10	910100300009	Bolt GB5783-M6x12-8.8	螺栓GB5783-M6x12-8.8	5	
11	255024520018	Transition rod	过渡杆	3	
12	910600600026	Split pin GB91-3.2x20	开口销GB91-3.2x20	9	
13	910600700032	Short axle GB882-10x20c1B	销轴GB882-10x20c1B	9	
14	910300100005	Nut GB6170-M6-10	螺母GB6170-M6-10	2	
15	910600600026	Split pin GB91-3.2x20	开口销GB91-3.2x20	2	
16	910600700032	Short axleGB882-10x20c1B	销轴GB882-10x20c1B	2	
17	255024510002	Fixing seat	固定座	1	
18	940500200022	Bushing $\phi 12 \times \phi 14 \times 20$ -SF-1	复合套(带肩) $\phi 12 \times \phi 14 \times 20$ -SF-1	3	
19	255024520016	Pressing plate	压板	1	
20	910100300011	Bolt GB5783-M6x20-8.8	螺栓GB5783-M6x20-8.8	2	
21	910100300023	Bolt GB5783-M8x25-8.8	螺栓GB5783-M8x25-8.8	4	
22	910400500006	Washer GB93-8	弹簧垫圈GB93-8	4	
23	910400100006	Washer GB97.1-8-200HV	平垫圈GB97.1-8-200HV	4	
24	255024520001	Fixing plate	固定板	1	
25	▲	Axle $\phi 10 \times 60$	手柄轴 $\phi 10 \times 60$	1	
26	▲	Spring	压簧	1	
27	▲	Axle $\phi 18 \times 27.5$	带耳轴 $\phi 18 \times 27.5$	1	
28	▲	Handle	手柄	1	
29	▲	Dowel pin GB879.1-3x16	弹性圆柱销GB879.1-3x16	1	
30	255024510006	Handle assembly	解锁手柄总成	1	包含/Inc. 25-
31	255024510001	Frame welding	支架焊合	1	



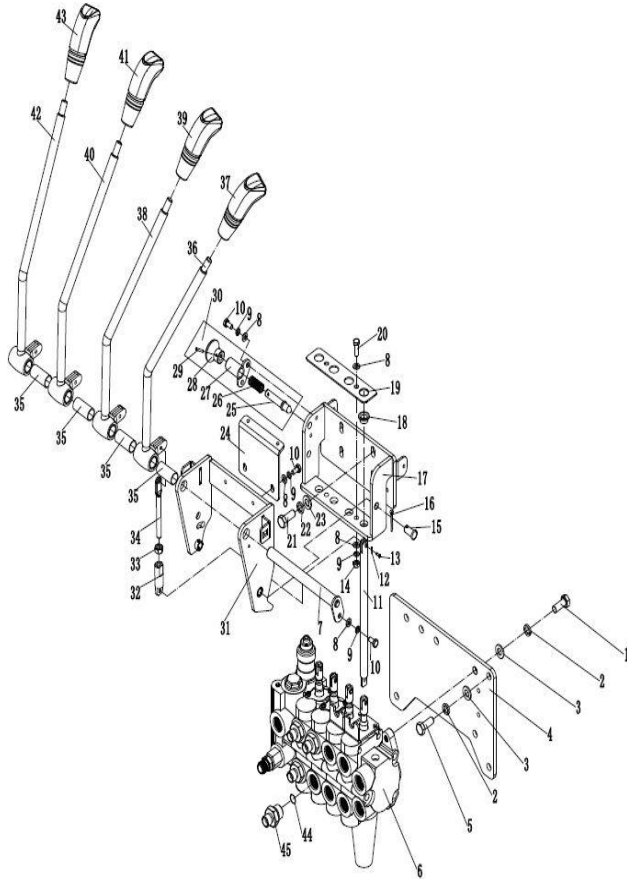
254198501035 多路换向阀操纵(三联)/Multiple directional control valve (trigemin)

序号/NO	编码/SN	Name	名称	数量/QTY	备注/Remark
32	250525020008	Joint	接头	3	
33	910300100006	Nut GB6170-M8-10	螺母GB6170-M8-10	3	
34	255024520017	Linking rod	连接杆	3	
35	255024520025	Bearing $\phi 18 \times \phi 16 \times 37$	无油轴承套 $\phi 18 \times \phi 16 \times 37$	3	
36	255024510004	Control lever welding (lifting)	操纵杆焊合(起升)	1	
37	255024520022	Handle ball (lifting)	手柄球(起升)	1	
38	255024510005	Control lever welding (slope)	操纵杆焊合(倾斜)	1	
39	255024520023	Handle ball(slope)	手柄球(倾斜)	1	
40	255025010001	Control lever welding (accessory 1)	操纵杆焊合(属具1)	1	
41	255025020002	Handle ball (accessory 1)	手柄球(属具1)	1	
42	255024520028	Sleeve	轴套	1	
43	910800100003	O ring 17x2.65	O形圈-内17x2.65	2	
44	255023520033	Joint8-M20x1.5-M16x1.5-60°	接头(直)8-M20x1.5-M16x1.5-60°	2	

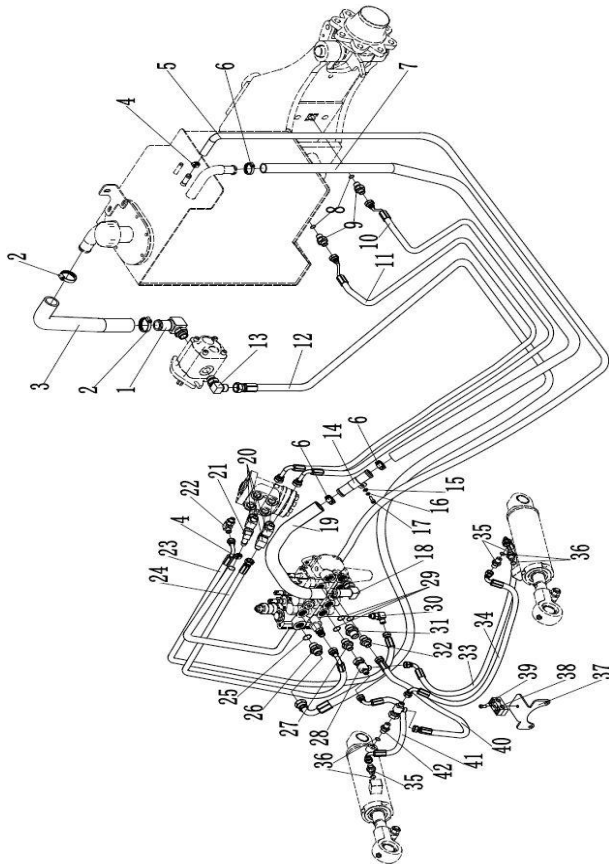


254198501036 多路换向阀操纵(四联)/Multiple directional control valve(four)

序号/NO	编码/SN	Name	名称	数量/QTY	备注/Remark
1	910100400003	Bolt GB5786-M10x1.25x25-8.8	螺栓GB5786-M10x1.25x25-8.8	3	
2	910400500007	Washer GB93-10	弹簧垫圈GB93-10	6	
3	910400100007	Washer GB97.1-10-200HV	平垫圈GB97.1-10-200HV	6	
4	255024520024	Supporting plate	支架板	1	
5	910100300036	Bolt GB5783-M10x25-8.8	螺栓GB5783-M10x25-8.8	3	
6	255025510002	Multi way valve (four combined)	多路阀(四联)	1	
7	255024510009	Axle $\phi 16 \times 168$	带耳轴 $\phi 16 \times 168$	1	
8	910400100005	Washer GB97.1-6-200HV	平垫圈GB97.1-6-200HV	9	
9	910400500005	Washer GB93-6	弹簧垫圈GB93-6	7	
10	910100300009	Bolt GB5783-M6x12-8.8	螺栓GB5783-M6x12-8.8	5	
11	255024520018	Transition rod	过渡杆	4	
12	910600600026	split pin GB91-3.2x20	开口销GB91-3.2x20	12	
13	910600700032	Short axle GB882-10x20c1B	销轴GB882-10x20c1B	12	
14	910300100005	Nut GB6170-M6-10	螺母GB6170-M6-10	2	
15	910600600026	split pin GB91-3.2x20	开口销GB91-3.2x20	2	
16	910600700032	Short axle GB882-10x20c1B	销轴GB882-10x20c1B	2	
17	255024510002	Fixing seat	固定座	1	
18	940500200022	Bushing $\phi 12 \times \phi 14 \times 20$ -SF-1	复合套(带肩) $\phi 12 \times \phi 14 \times 20$ -SF-1	4	
19	255024520016	Pressing plate	压板	1	
20	910100300011	Bolt GB5783-M6x20-8.8	螺栓GB5783-M6x20-8.8	2	
21	910100300023	Bolt GB5783-M8x25-8.8	螺栓GB5783-M8x25-8.8	4	
22	910400500006	Washer GB93-8	弹簧垫圈GB93-8	4	
23	910400100006	Washer GB97.1-8-200HV	平垫圈GB97.1-8-200HV	4	
24	255024520001	Fixing plate	固定板	1	
25	▲	Axle $\phi 10 \times 60$	手柄轴 $\phi 10 \times 60$	1	
26	▲	Spring	压簧	1	
27	▲	Axle $\phi 18 \times 27.5$	带耳轴 $\phi 18 \times 27.5$	1	
28	▲	Handle	手柄	1	
29	▲	Dowel pin GB879.1-3x16	弹性圆柱销GB879.1-3x16	1	
30	255024510006	Handle assembly	解锁手柄总成	1	包含/Inc. 25-
31	255024510001	Frame assembly	支架焊合	1	

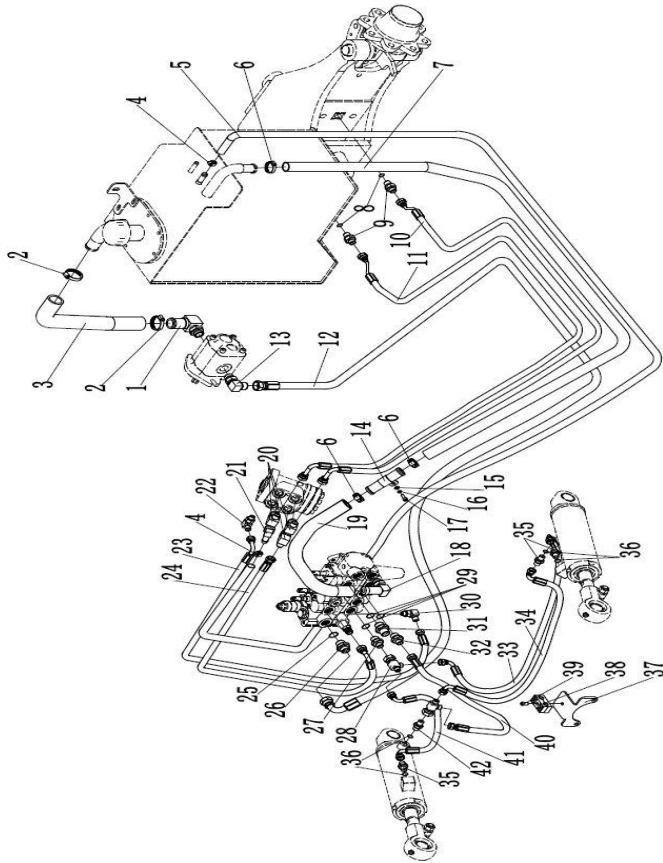


254198501037 液压系统/Hydraulic system



序号/NO	编码/SN	Name	名称	数量/QTY	备注/Remark
1	255023510005	Joint 25-G1-φ32	接头(转向弯)25-G1-φ32	1	
2	911000600006	Hose clamp QC/T390-(40-45)	喉箍QC/T390-(40-45)	2	
3	255023520008	Rubber hose	胶管(吸油)	1	
4	911000600003	Hose clamp QC/T390-(22-26)	喉箍QC/T390-(22-26)	2	
5	254123520006	Oil return hose φ23xφ13x3450	回油管 φ 23x φ 13x3450	1	
6	911000600004	Hose clamp QC/T390-(34-38)	喉箍QC/T390-(34-38)	4	
7	254123520013	Oil return hose φ35xφ25x1750	回油管 φ 35x φ 25x1900	1	
8	910800100002	Oring 13.2x2.65	O形圈-内13.2x2.65	2	
9	255023520034	Joint 8-2xM16x1.5-60°	接头(直)8-2xM16x1.5-60°	2	
10	254123520002	Hydraulic hose assembly 8-L2550-	液压管总成(异)8-L2550-1SC-60°	1	
11	254123520001	Hydraulic hose assembly 8-L2850-	液压管总成(异)8-L2850-1SC-60°	1	
12	254123520004	Hydraulic hose assembly (90°)13-L	液压管总成(90°)13-L2600-2SC-60°	1	
13	255023520035	Joint12-G1/2-M22x1.5-60°	接头(锁定弯)12-G1/2-M22x1.5-60°	1	
14	255023520022	Transition steel pipe	过渡钢管	1	
15	910400100005	Washer GB97.1-6-200HV	平垫圈GB97.1-6-200HV	2	
16	910400500005	Washer GB93-6	弹簧垫圈GB93-6	2	
17	910200200036	Screw GB70.1-M6x20-8.8	螺钉GB70.1-M6x20-8.8	2	
18	255023510002	Joint 16-M22x1.5-φ25	接头(转向弯)16-M22x1.5-φ25	1	
19	255023520021	Rubber tube	胶管(回油)	1	
20	255023510007	Joint 10-M20x1.5-M16x1.5-60°	接头(锁定弯)10-M20x1.5-M16x1.5-	3	
21	255023520033	Joint 11-M20x1.5-0	接头(锁定弯)11-M20x1.5-0	1	
22	255023510003	Joint 6-G1/4-M14x1.5-60°	接头(锁定弯)6-G1/4-M14x1.5-	1	
23	255023520003	Hydraulic hose assembly (90°)6-L1	液压管总成(90°)6-L1420-1SC-60°	1	
24	255023520005	Hydraulic hose assembly (90°)8-L1	液压管总成(90°)8-L1420-1SC-60°	1	
25	910800100015	Oring 19x2.65	O形圈-内19x2.65	1	
26	255023520030	Joint 12-2xM22x1.5-60°	接头(直)12-2xM22x1.5-60°	1	
27	255023520033	Joint 8-M20x1.5-M16x1.5-60°	接头(直)8-M20x1.5-M16x1.5-60°	1	
28	255023510012	Joint 7-2xM14x1.5-M16x1.5-60°	接头(三通)7-2xM14x1.5-M16x1.5-60°	2	
29	910800100003	Oring 17x2.65	O形圈-内17x2.65	3	
30	255023510001	Joint 6-M12x1.5-M14x1.5-60°	接头(锁定弯)6-M12x1.5-M14x1.5-60°	1	
31	255044020122	Joint 12-M20x1.5-M22x1.5-60°	接头(直)12-M20x1.5-M22x1.5-60°	1	

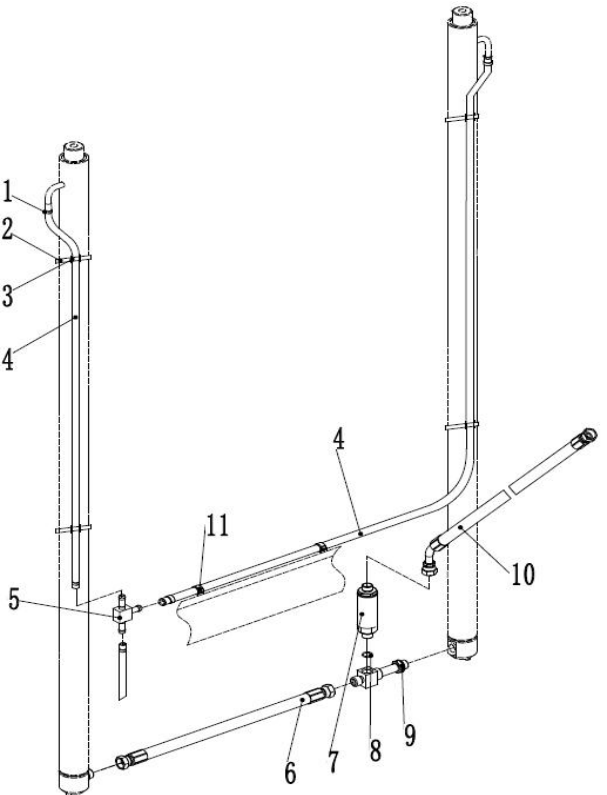
254198501037 液压系统/Hydraulic system



序号/NO	编码/SN	Name	名称	数量/QTY	备注/Remark
32	255023520032	Joint 6-M20x1.5-M14x1.5-60°	接头(直)6-M20x1.5-M14x1.5-60°	1	
33	255023520017	Hydraulic hose assembly 6-L1000-	液压管总成U型6-L1000-ISC-60°	1	
34	255023520018	Hydraulic hose assembly 6-L1100-	液压管总成(异)6-L1100-ISC-60°	1	
35	255023520007	Joint 6-G1/4-M14x1.5-60°	接头(直)6-G1/4-M14x1.5-60°	3	
36	910800100021	Oring 11.2x2.65	O形圈-内11.2x2.65	4	
37	255023520027	Rubber hose fixing block	胶管固定板	1	
38	255028520034	Rubber hose fixing block	胶管固定块	2	
39	910200200060	Screw GB70.1-M8x35-8.8	螺钉GB70.1-M8x35-8.8	1	
40	255023520012	Hydraulic hose assembly 6-L500-1	液压管总成(直)6-L500-ISC-60°	1	
41	255023520016	Hydraulic hose assembly 6-L600-1	液压管总成U型6-L600-ISC-60°	1	
42	255023520019	Joint 8-G1/4-M16x1.5-60°	接头(直)8-G1/4-M16x1.5-60°	1	

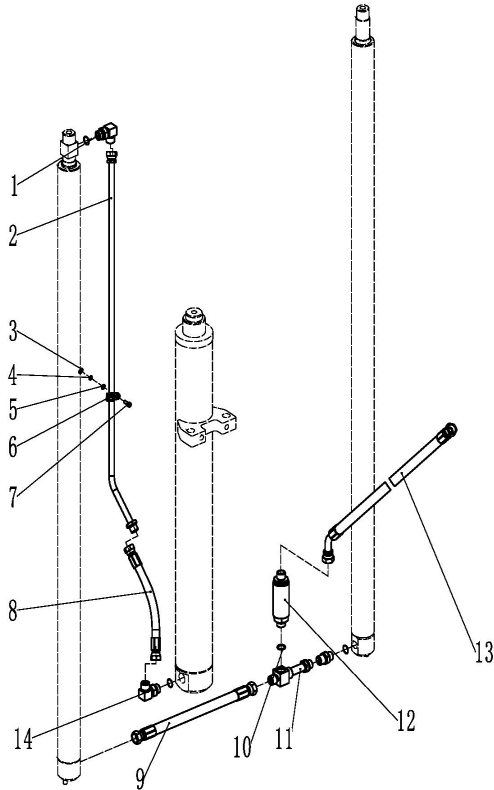
254198501038 门架起升管路 (标准门架) /Mast lifting pipeline (standard mast)

序号/NO	编码/SN	Name	名称	数量/QTY	备注/Remark
1	255044020043	Hoop13	卡箍13	5	
2	921600400001	Strip 4x250	扎带4x250	4	
3	255044020042	Press plate	压板	4	
4	▲	PE Supple pipe Φ10xΦ13	PE软管 Φ10xΦ13	2	
	▲	PE Supple pipe Φ10xΦ13	PE软管 Φ10xΦ13	2	
	▲	PE Supple pipe Φ10xΦ13	PE软管 Φ10xΦ13	2	
	▲	PE Supple pipe Φ10xΦ13	PE软管 Φ10xΦ13	3	
	▲	PE Supple pipe Φ10xΦ13	PE软管 Φ10xΦ13	3	
	▲	PE Supple pipe Φ10xΦ13	PE软管 Φ10xΦ13	3	
	▲	PE Supple pipe Φ10xΦ13	PE软管 Φ10xΦ13	3	
	▲	PE Supple pipe Φ10xΦ13	PE软管 Φ10xΦ13	4	
	▲	PE Supple pipe Φ10xΦ13	PE软管 Φ10xΦ13	4	
5	255044020118	Joint	接头(三通)	1	
6	254144020039	Hydraulic hose assembly 12-L345-	液压管总成(直)12-L345-2SC-60°	1	
7	950700300001	Speed limit valve XSF-F16-40	限速阀XSF-F16-40	1	
8	910800100040	Oring 24x2.4	O形圈-外24x2.4	1	
9	254144020038	Joint	接头(三通)	1	
10	255044020013	Hydraulic hose assembly (135°)1	液压管总成(135°)15-L740-2SC-60	1	
11	921600400003	Strip P-N156-00646	扎带(带扣)P-N156-00646	3	
12	281298520001	Explosion Proof Valve PF3/8-M18x	防爆阀PF3/8-M18x1.5	1	

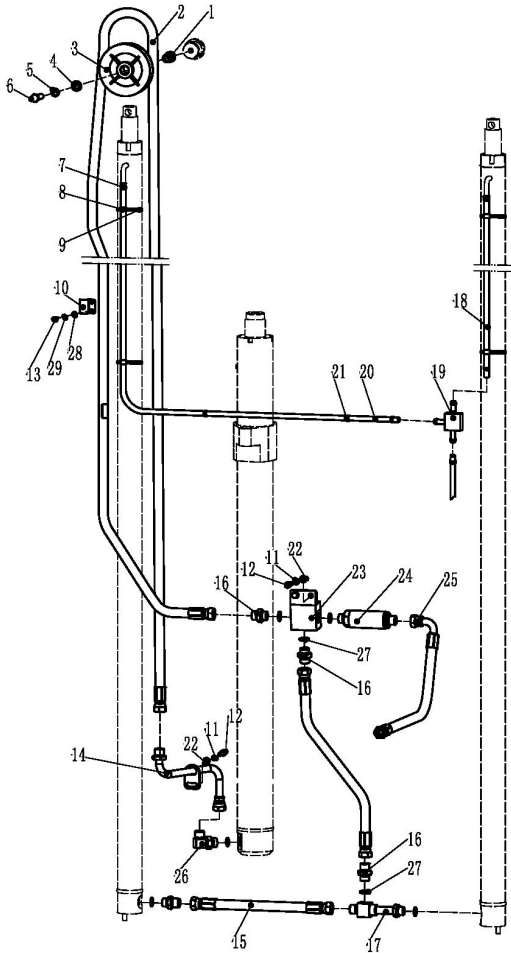


254198501039 门架起升管路 (二级全自由)/Mast lifting pipeline(three stage full free lift)

序号/NO	编码/SN	Name	名称	数量/QTY	备注/Remark
1	255044020151	Joint 12-2xM22x1.5-60°	接头(锁定弯)12-2xM22x1.5-60°	1	
2	255043520025	Pipe L=1090	起升钢管L=1090	1	H=2500
	255043520024	Pipe L=1255	起升钢管L=1255	1	H=2700
	255043520024	Pipe L=1255	起升钢管L=1255	1	H=3000
	255043520011	Pipe L=1300	液压钢管L=1300	1	H=3300
	255043520012	Pipe L=1460	液压钢管L=1460	1	H=3500
	255043520012	Pipe L=1460	液压钢管L=1460	1	H=3700
	255043520012	Pipe L=1460	液压钢管L=1460	1	H=4000
	255043520014	Pipe L=1850	液压钢管L=1850	1	H=4300
	255043520015	Pipe L=2010	液压钢管L=2010	1	H=4500
	255043520017	Pipe L=2360	液压钢管L=2360	1	H=5000
3	910300100005	Nut GB6170-M6-10	螺母GB6170-M6-10	1	
4	910400500005	Spring gasket GB93-6	弹簧垫圈GB93-6	1	
5	910400100005	Flat gasket GB97.1-6-200HV	平垫圈GB97.1-6-200HV	1	
6	951000100003	Hose clamp YGE wrap glue 15	管夹YGE包胶15	1	
7	910200200036	Screw GB70.1-M6x20-8.8	螺钉GB70.1-M6x20-8.8	1	
8	251044520074	Hose 15-L290-2SC-60°	液压管总成(直)15-L290-2SC-60°	1	H=2500
	275244019003	Hose 15-L345-2SC-60°	液压管总成(直)15-L345-2SC-60°	1	H=2700
	254143529501	Hose 15-L480-2SC-60°	液压管总成(直)15-L480-2SC-60°	1	H=3000
	254143529501	Hose 15-L480-2SC-60°	液压管总成(直)15-L480-2SC-60°	1	H=3300
	263044020037	Hose 15-L425-2SC-60°	液压管总成(直)15-L425-2SC-60°	1	H=2500
	254143529502	Hose 15-L510-2SC-60°	液压管总成(直)15-L510-2SC-60°	1	H=3700
	254143529503	Hose 15-L560-2SC-60°	液压管总成(直)15-L560-2SC-60°	1	H=4000
	254143529501	Hose 15-L480-2SC-60°	液压管总成(直)15-L480-2SC-60°	1	H=4300
	263044020037	Hose 15-L425-2SC-60°	液压管总成(直)15-L425-2SC-60°	1	H=4500
	275244019003	Hose 15-L345-2SC-60°	液压管总成(直)15-L345-2SC-60°	1	H=5000
9	254144020039	Hose 12-L345-2SC-60°	液压管总成(直)12-L345-2SC-60°	1	
10	910800100040	Oring 24x2.4	O形圈-外24x2.4	1	
11	254144020038	Joint	接头(三通)	1	
12	950700300001	Speed limit valve XSF-F16-40	限速阀XSF-F16-40	1	
13	255044020013	Hose (135°)15-L740-2SC-60°	液压管总成(135°)15-L740-2SC-60°	1	

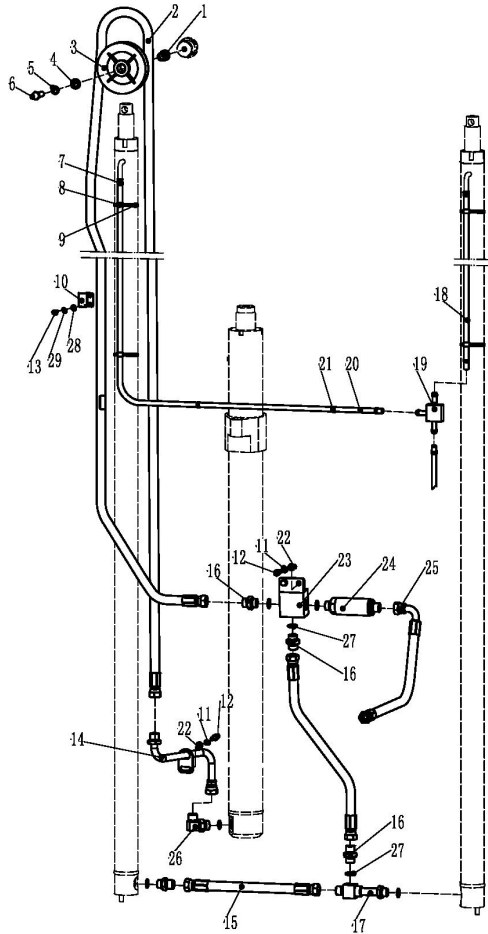


254198501040 门架起升管路 (三级全自由) / Mast lifting pipeline(three stage full free lift)



序号/NO	编码/SN	Name	名称	数量/QTY	备注/Remark
1	255044520081	Bushing	衬套 (带肩) $\phi 20 \times \phi 13 \times 28$	1	
2	254144520041	Hydraulic hose assembly 12-L2900	液压管总成(直) 12-L2900-2SC-60°	1	H=4000
	254144520042	Hydraulic hose assembly 12-L3150	液压管总成(直) 12-L3150-2SC-60°	1	H=4350
	254144520043	Hydraulic hose assembly 12-L3250	液压管总成(直) 12-L3250-2SC-60°	1	H=4500
	254144520044	Hydraulic hose assembly 12-L3450	液压管总成(直) 12-L3450-2SC-60°	1	H=4800
	254144520045	Hydraulic hose assembly 12-L3650	液压管总成(直) 12-L3650-2SC-60°	1	H=5000
	254144520046	Hydraulic hose assembly 12-L3950	液压管总成(直) 12-L3950-2SC-60°	1	H=5500
	254144520047	Hydraulic hose assembly 12-L4350	液压管总成(直) 12-L4350-2SC-60°	1	H=6000
3	255030520021	Pulley $\phi 110 \times 27$ (single groove)	滑轮 $\phi 110 \times 27$ (单槽)	1	
4	910400100008	Washer GB97.1-12-200HV	平垫圈GB97.1-12-200HV	1	
5	910400500008	Washer GB93-12	弹簧垫圈GB93-12	1	
6	910100300054	Bolt GB5783-M12x50-8.8	螺栓GB5783-M12x50-8.8	1	
7	255044020043	Hoop	弹性卡箍	6	
8	921600400001	Strip 4x250	扎带4x250	6	
9	255044020042	Hose press plate	软管压板	5	
10	255044520132	Tubing clamps	油管夹	4	
11	910400500006	Washer GB93-8	弹簧垫圈GB93-8	5	
12	910100300023	Bolt GB5783-M8x25-8.8	螺栓GB5783-M8x25-8.8	1	
13	910200200035	Bolt GB70.1-M6x16-8.8	螺栓GB70.1-M6x16-8.8	4	
14	254144510021	Medium urn traist steel pipe	中缸过渡钢管	1	
15	254144020039	Hydraulic hose assembly 12-L345-	液压管总成(直) 12-L345-2SC-60°	1	
16	254144520040	Joint 10-M22x1.5-M18x1.5-60°	接头(直) 10-M22x1.5-M18x1.5-60°	3	
17	254144020038	Joint	接头(三通)	1	
18	▲	PE soft pipe $\phi 10 \times \phi 13$	PE软管 $\phi 10 \times \phi 13$	1	
19	251044020077	Joint	三通接头	1	
20	▲	PE soft pipe $\phi 10 \times \phi 13$	PE软管 $\phi 10 \times \phi 13$	1	
21	921600400003	Strip P/N 156-00646	带扣扎带 P/N 156-00646	2	
22	910400100006	Washer GB97.1-8-200HV	平垫圈GB97.1-8-200HV	3	
23	254144510022	Three joint welding	三通焊合	1	
24	950700300001	Speed limit valve	限速阀	1	
25	254144520048	Hydraulic hose assembly (90°)15-	液压管总成(90°) 15-L800-2SC-60°	1	

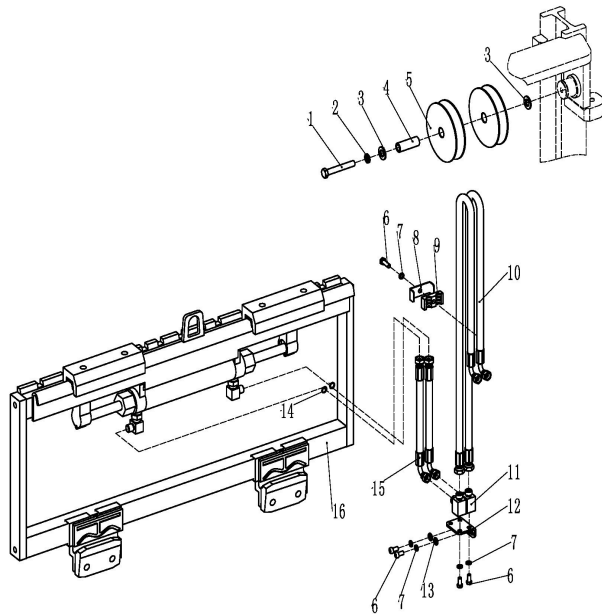
254198501040 门架起升管路 (三级全自由) / Mast lifting pipeline(three stage full free lift)



序号/NO	编码/SN	Name	名称	数量/QTY	备注/Remark
26	255043520022	Joint 8-M27x2-M22x1.5-60°	接头(锁定弯)8-M27x2-M22x1.5-60°	1	
27	910800100015	Oring 19x2.65	O形圈-内19x2.65	4	
28	910400100005	Washer GB97.1-6-200HV	平垫圈GB97.1-6-200HV	4	
29	910400500005	Washer GB93-6	弹簧垫圈GB93-6	4	

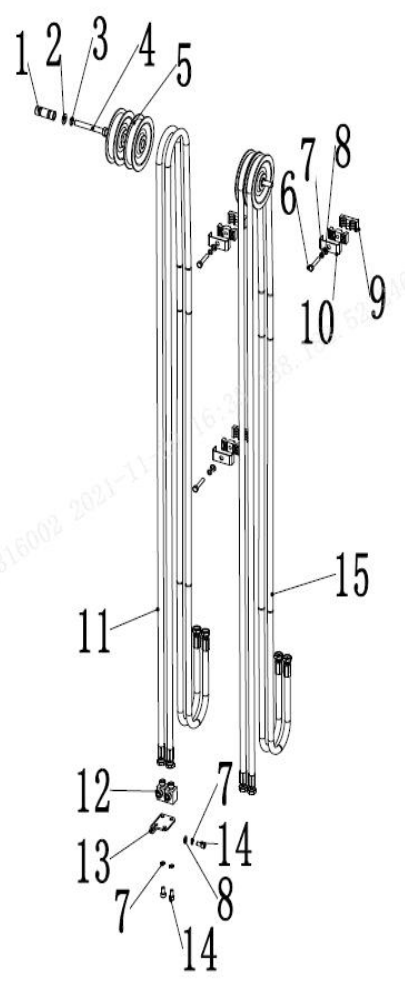
254198501041 侧移器及管路安装(标准门架)/Side shifter and pipeline installation (standard mast)

序号/NO	编码/SN	Name	名称	数量/QTY	备注/Remark
1	910100100056	Bolt GB5782-M12x90-8.8	螺栓GB5782-M12x90-8.8	1	
2	910400500008	WasherGB93-12	弹簧垫圈GB93-12	1	
3	910400100008	Washer GB97.1-12-200HV	平垫圈GB97.1-12-200HV	1	
4	255030520022	Bush Φ 22xΦ 13x56	衬套Φ 22xΦ 13x56	1	
5	255030520021	Pulley Φ 110x27	滑轮Φ 110x27(单槽)	2	
6	910200200062	ScrewGB5783-M8x45-8.8	螺钉GB70.1-M8x45-8.8	2	
7	910400500006	Washer GB93-8	弹簧垫圈GB93-8	6	
8	255028520034	Rubber pipe lump	胶管固定块	2	
9	255028520035	Pipe press fixedly piank	管夹安装板	2	
10	255030520006	Hydraulic hose assembly 10-L3370	液压管总成(直)10-L3370-1SC-60°	2	H=2500
	254128520040	Hydraulic hose assembly 10-L3500	液压管总成(直)10-L3500-1SC-60°	2	H=2700
	281227511001	Hydraulic hose assembly 10-L3800	液压管总成(直)10-L3800-1SC-60°	2	H=3000
	281227511002	Hydraulic hose assembly 10-L4200	液压管总成(直)10-L4200-1SC-60°	2	H=3300
	281227511003	Hydraulic hose assembly 10-L4300	液压管总成(直)10-L4300-1SC-60°	2	H=3500
	281227511004	Hydraulic hose assembly 10-L4500	液压管总成(直)10-L4500-1SC-60°	2	H=3700
	281227511005	Hydraulic hose assembly 10-L4900	液压管总成(直)10-L4900-1SC-60°	2	H=4000
	281227511006	Hydraulic hose assembly 10-L5200	液压管总成(直)10-L5200-1SC-60°	2	H=4300
	281227511007	Hydraulic hose assembly 10-L5500	液压管总成(直)10-L5500-1SC-60°	2	H=4500
281227511008	Hydraulic hose assembly 10-L5950	液压管总成(直)10-L5950-1SC-60°	2	H=5000	
11	255029020024	Joint 8-M16x1.5-60°	接头(锁定弯)8-2xM16x1.5-60°	2	
12	254127520001	fixedly piank	安装板	1	
13	910400100006	Washer GB97.1-8-200HV	平垫圈GB97.1-8-200HV	2	
14	910800100001	Oring 9.5x1.8	O形圈-内9.5x1.8	4	
15	254142520001	Hydraulic hose assembly (90°)10-L	液压管总成(90°)10-L300-1SC-60°	2	
16	255042510004	Side shifter assembly(LH)	侧移器总成(LH)	1	选装/optional
	255042510001	Side shifter assembly(LD)	侧移器总成(LD)	1	选装/optional
	255042510002	Side shifter assembly(CASCADE)	侧移器总成(卡斯卡特)	1	选装/optional

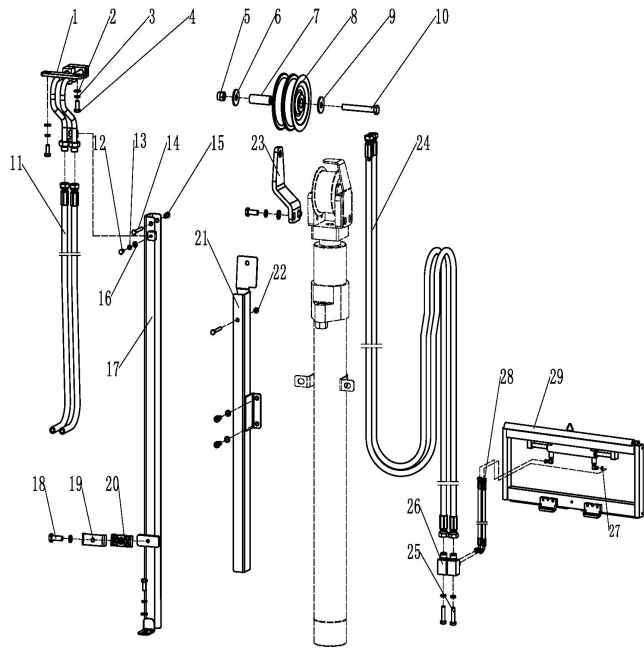


254198501042 双附加管路 FOURTH ADDITIONAL PIPELINE (standard mast)

序号/NO	编码/SN	Name	名称	数量/QTY	备注/Remark
1	255030520022	Bush $\Phi 22x\Phi 13x56$	衬套 $\Phi 22x\Phi 13x56$	2	
2	910400200005	big washer GB96.1-12-200HV	大垫圈GB96.1-12-200HV	2	
3	910400500008	Spring washer GB93-12	弹簧垫圈GB93-12	2	
4	910100100056	Bolt GB5782-M12x90-8.8	螺栓GB5782-M12x90-8.8	2	
5	251127520001	Pulley $\Phi 110x42$ (double groove)	滑轮 $\Phi 110x42$ (双槽)	2	
6	910100300025	Bolt GB5783-M8x35-8.8	螺栓GB5783-M8x35-8.8	4	
7	910400500006	Spring washer GB93-8	弹簧垫圈GB93-8	12	
8	910400100006	Flat washer GB97.1-8-200HV	平垫圈GB97.1-8-200HV	12	
9	255028520034	Pipe press fixedly piank	胶管固定块	8	
10	255028520035	mounting plate	安装板(管夹)	4	
11	254127520004	Hydraulic hose assembly (90°)10-L	液压管总成(90°)10-L3500-1SC-60	2	H=2500
	252027520004	Hydraulic hose assembly (90°)10-L	液压管总成(90°)10-L3700-1SC-60	2	H=2700
	252027520005	Hydraulic hose assembly (90°)10-L	液压管总成(90°)10-L4000-1SC-60	2	H=3000
	255027520012	Hydraulic hose assembly (90°)10-L	液压管总成(90°)10-L4250-1SC-60	2	H=3300
	255027520001	Hydraulic hose assembly (90°)10-L	液压管总成(90°)10-L4500-1SC-60	2	H=3500
	253530520006	Hydraulic hose assembly (90°)10-L	液压管总成(90°)10-L4700-1SC-60	2	H=3700
	253530520007	Hydraulic hose assembly (90°)10-L	液压管总成(90°)10-L5100-1SC-60	2	H=4000
	255027520016	Hydraulic hose assembly (90°)10-L	液压管总成(90°)10-L5350-1SC-60	2	H=4300
	252027520025	Hydraulic hose assembly (90°)10-L	液压管总成(90°)10-L5600-1SC-60	2	H=4500
255027520018	Hydraulic hose assembly (90°)10-L	液压管总成(90°)10-L6150-1SC-60	2	H=5000	
12	255028520001	Joint (locking bend) 8-M16x1.5-M1	接头(锁定弯)8-M16x1.5-M18x1.5-6	4	
13	254127520001	mounting plate	安装板	2	
14	910200200055	Screw GB70.1-M8x16-8.8	螺钉GB70.1-M8x16-8.8	8	
15	255030520006	Hydraulic hose assembly 10-L3370	液压管总成(直)10-L3370-1SC-60°	2	H=2500
	254128520040	Hydraulic hose assembly 10-L3500	液压管总成(直)10-L3500-1SC-60°	2	H=2700
	281227511001	Hydraulic hose assembly 10-L3800	液压管总成(直)10-L3800-1SC-60°	2	H=3000
	281227511002	Hydraulic hose assembly 10-L4200	液压管总成(直)10-L4200-1SC-60°	2	H=3300
	281227511003	Hydraulic hose assembly 10-L4300	液压管总成(直)10-L4300-1SC-60°	2	H=3500
	281227511004	Hydraulic hose assembly 10-L4500	液压管总成(直)10-L4500-1SC-60°	2	H=3700
	281227511005	Hydraulic hose assembly 10-L4900	液压管总成(直)10-L4900-1SC-60°	2	H=4000
281227511006	Hydraulic hose assembly 10-L5200	液压管总成(直)10-L5200-1SC-60°	2	H=4300	

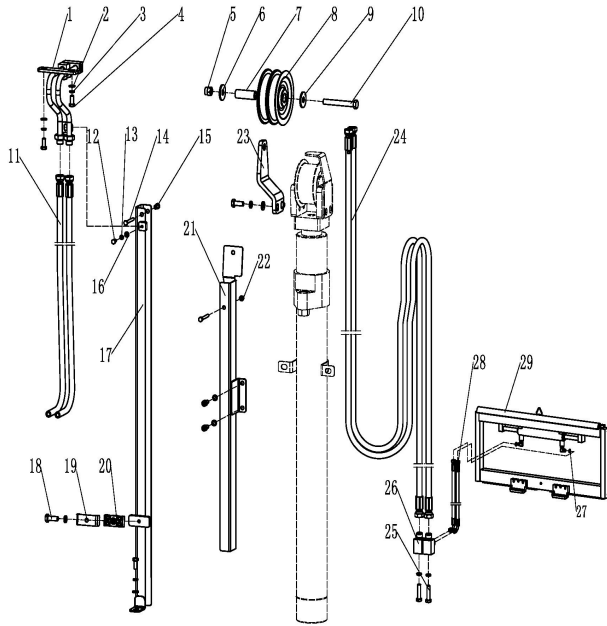


254198501043 侧移器及管路安装 (二级全自由)/Side shifter and pipeline installation(two stage full free)



序号/NO	编码/SN	Name	名称	数量/QTY	备注/Remark
1	254128510001	Transition steel pipe solder	过度钢管焊合	1	
2	910400100006	Washer GB97.1-8-200HV	平垫圈GB97.1-8-200HV		
3	910400500006	Washer GB93-8	弹簧垫圈GB93-8		
4	941100400001	ScrewM8X20-8.8	螺钉M8x20-8.8		
5	910300500006	Nut GB889.1-M12-10	螺母GB889.1-M12-10	1	
6	910400100008	Washer GB97.1-12-200HV	平垫圈GB97.1-12-200HV	1	
7	255030520022	Bushing	衬套	1	
8	255030520021	Pulley φ110x27	滑轮 φ110x27 (单槽)	1	
9	910400200005	Washer GB97.1-12-200HV	大垫圈GB96.1-12-200HV	1	
10	910100100058	Bolt GB5783-M12x100-8.8	螺栓GB5783-M12x100-8.8	1	
11	281229020021	Hydraulic hose assembly 10-L1650	液压管总成(直)10-L1650-1SC-60	2	H=2500
	254130520004	Hydraulic hose assembly 10-L1745	液压管总成(直)10-L1795-1SC-60°	2	H=2700
	281229020022	Hydraulic hose assembly 10-L1900	液压管总成(直)10-L1900-1SC-60°	2	H=3000
	255030520001	Hydraulic hose assembly 10-L2060	液压管总成(直)10-L2060-1SC-60°	2	H=3300
	255028520044	Hydraulic hose assembly 10-L2150	液压管总成(直)10-L2150-1SC-60°	2	H=3500
	255028520018	Hydraulic hose assembly 10-L2270	液压管总成(直)10-L2270-1SC-60°	2	H=3700
	254130520009	Hydraulic hose assembly 10-L2470	液压管总成(直)10-L2470-1SC-60°	2	H=4000
12	941100100009	Screw M6X12-8.8	螺钉M6x12-8.8	1	
13	910400500005	Washer GB93-8	弹簧垫圈GB93-6	1	
14	910100300016	BoltGB5783-M6X50-8.8	螺栓GB5783-M6x50-8.8	2	
15	910301300002	Nut GB17880.1-M6X16.5	螺母GB17880.1-M6x16.5	1	
16	910400100005	Washer GB97.1-6-200HV	平垫圈GB97.1-6-200HV		
17	254128510012	Groove welding L=705	外导槽焊合L=705	1	H=2500
	254128510013	Groove welding L=805	外导槽焊合L=805	1	H=2700
	254128510014	Groove welding L=955	外导槽焊合L=955	1	H=3000
	254128510015	Groove welding L=1105	外导槽焊合L=1105	1	H=3300
	254128510016	Groove welding L=1205	外导槽焊合L=1205	1	H=3500
	254128510017	Groove welding L=1305	外导槽焊合L=1305	1	H=3700
	254128510018	Groove welding L=1505	外导槽焊合L=1505	1	H=4000
18	910200200059	Screw GB70.1-M8x30-8.8	螺钉GB70.1-M8x30-8.8	1	
19	255028520035	Rubber pipe lump	管夹安装板	2	

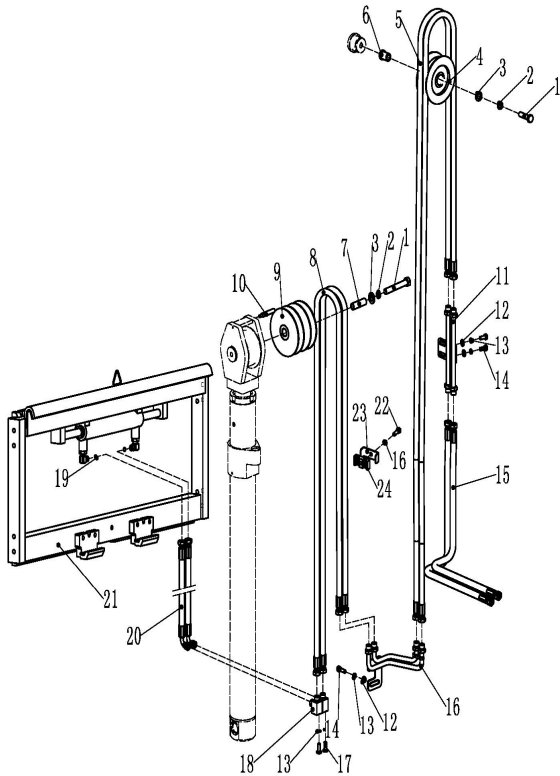
254198501043 侧移器及管路安装 (二级全自由)/Side shifter and pipeline installation(two stage full free)



序号/NO	编码/SN	Name	名称	数量/QTY	备注/Remark
20	255028520034	Pipe press fixedly plank	胶管固定块	2	H=2500
21	254128510002	Groove welding L=400	内导槽焊合L=515	1	H=2500
	254128510003	Groove welding L=500	内导槽焊合L=565	1	H=2700
	254128510004	Groove welding L=640	内导槽焊合L=640	1	H=3000
	254128510005	Groove welding L=800	内导槽焊合L=715	1	H=3300
	254128510006	Groove welding L=900	内导槽焊合L=765	1	H=3500
	254128510007	Groove welding L=1000	内导槽焊合L=815	1	H=3700
	254128510008	Groove welding L=1200	内导槽焊合L=890	1	H=4000
22	910300500003	Nut GB889.1-M6-10	螺母GB889.1-M6-10	1	
23	254128520059	Pulley frame	滑轮支板	1	
24	254128520031	Hydraulic hose assembly 10-L2350	液压管总成(直)10-L2350-1SC-60°	2	H=2500/2700
	254128520052	Hydraulic hose assembly 10-L2650	液压管总成(直)10-L2650-1SC-60°	2	H=3000/3300
	254128520035	Hydraulic hose assembly 10-L2850	液压管总成(直)10-L2850-1SC-60°	2	H=3500/3700
	254128520037	Hydraulic hose assembly 10-L3150	液压管总成(直)10-L3150-1SC-60°	2	H=4000
25	910100300025	Bolt GB5783-M8x35-8.8	螺栓GB5783-M8x35-8.8	2	
26	255028520001	Joint (locking bend) 8-M16x1.5-M1	接头(锁定弯)8-M16x1.5-M18x1.5-6	2	
27	910800100001	Oring 9.5x1.8	O形圈-内9.5x1.8	4	
28	254142520001	Hydraulic hose assembly (90°)10-L	液压管总成(90°)10-L300-1SC-60°	2	
29	255042510004	Side shifter assembly(LH)	侧移器总成(LH)	1	选装/optional
	255042510001	Side shifter assembly(LD)	侧移器总成(LD)	1	选装/optional
	255042510002	Side shifter assembly(CASCADE)	侧移器总成(卡斯卡特)	1	选装/optional

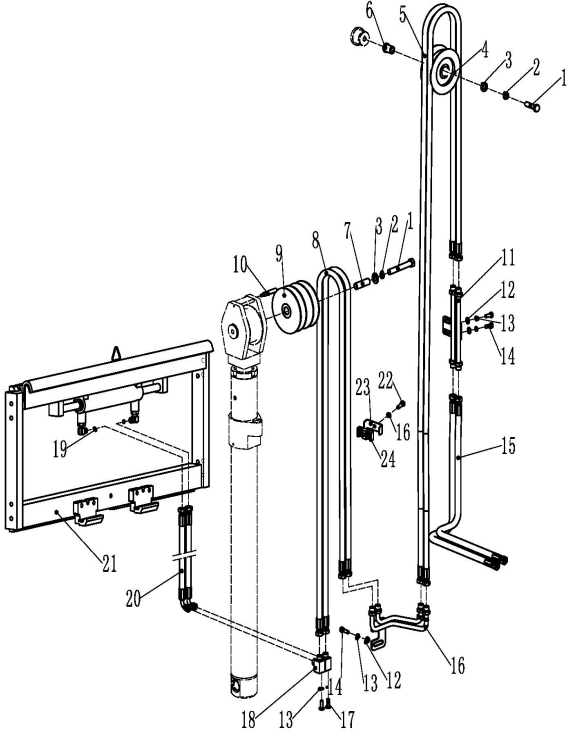
254198501044 侧移器及管路安装(三级全自由)/Side shifter and pipeline installation(three stage full free)

序号/NO	编码/SN	Name	名称	数量/QTY	备注/Remark
1	910100300054	BoltGB5783-M12x80-8.8	螺栓GB5783-M12x80-8.8	1	
2	910400500008	Washer GB93-12	弹簧垫圈GB93-12	1	
3	910400200005	Washer GB96.1-12-200HV	大垫圈GB96.1-12-200HV	2	
4	255030520020	Pulley	滑轮	1	
5	255030520001	Hydraulic hose assembly 10-	液压管总成(直)10-L2060-1SC-	1	H=4000
	255030520002	Hydraulic hose assembly 10-L2310	液压管总成(直)10-L2310-1SC-60°	1	H=4350
	255030520003	Hydraulic hose assembly 10-L2410	液压管总成(直)10-L2410-1SC-60°	1	H=4500
	255030520004	Hydraulic hose assembly 10-L2610	液压管总成(直)10-L2610-1SC-60°	1	H=4800
	254130520001	Hydraulic hose assembly 10-L2810	液压管总成(直)10-L2810-1SC-60°	1	H=5000
	254130520002	Hydraulic hose assembly 10-L3110	液压管总成(直)10-L3110-1SC-60°	1	H=5500
	254130520003	Hydraulic hose assembly 10-L3510	液压管总成(直)10-L3510-1SC-60°	1	H=6000
6	254130520016	Bush $\phi 20 \times \phi 13 \times 43$	衬套 $\phi 20 \times \phi 13 \times 43$	1	
7	255030520022	Bush $\phi 22 \times \phi 13 \times 56$	衬套 $\phi 22 \times \phi 13 \times 56$	1	
8	254130520004	Hydraulic hose assembly10-L1795	液压管总成(直)10-L1795-1SC-60°	2	H=4000
	254130520005	Hydraulic hose assembly10-L1890	液压管总成(直)10-L1890-1SC-60°	2	H=4350
	255030520025	Hydraulic hose assembly10-L1940	液压管总成(直)10-L1940-1SC-60°	2	H=4500
	254130520006	Hydraulic hose assembly10-L2040	液压管总成(直)10-L2040-1SC-60°	2	H=4800
	254130520007	Hydraulic hose assembly10-L2140	液压管总成(直)10-L2140-1SC-60°	2	H=5000
	254130520008	Hydraulic hose assembly10-L2295	液压管总成(直)10-L2295-1SC-60°	2	H=5500
	254130520009	Hydraulic hose assembly10-L2470	液压管总成(直)10-L2470-1SC-60°	2	H=6000
9	255030520021	Pulley $\phi 110 \times 27$	滑轮 $\phi 110 \times 27$ (单槽)	2	
10	254130520014	Pulley pole	滑轮挡杆	1	
11	255030520018	Hydraulic steel pipe welding	液压钢管焊合	1	
12	910400100006	Washer GB97.1-16-200HV	平垫圈GB97.1-8-200HV	3	
13	910400100006	Washer GB93-8	弹簧垫圈GB93-8	5	
14	910100300022	Bolt GB5783-M8x20-8.8	螺栓GB5783-M8x20-8.8	3	
15	255029020011	Hydraulic hose assembly 10-L1260	液压管总成(直)10-L1260-1SC-60°	2	
16	254130510001	Sidesway steel pipe	侧移钢管	1	
17	910200200059	Screw GB70.1-M8x35-8.8	螺钉GB70.1-M8x30-8.8	2	
18	255028520001	Joint (locking bend) 8-M16x1.5-M1	接头(锁定弯)8-M16x1.5-M18x1.5-6	2	
19	910800100001	Oring 9.5x1.8	O形圈-内9.5x1.8	4	



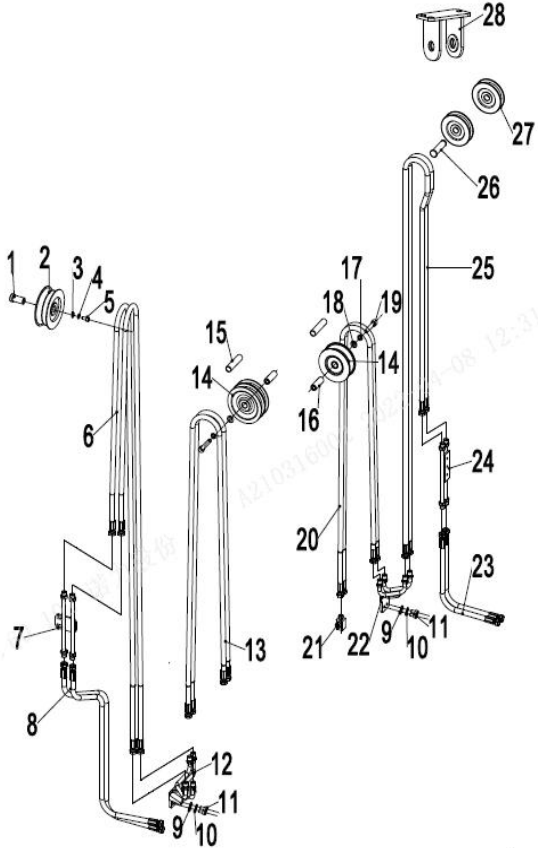
254198501044 侧移器及管路安装(三级全自由)/Side shifter and pipeline installation(three stage full free)

序号/NO	编码/SN	Name	名称	数量/QTY	备注/Remark
20	254142520001	Hydraulic hose assembly (90°)10-L	液压管总成(90°)10-L300-1SC-60°	2	
21	255042510004	Side shifter assembly(LH)	侧移器总成(LH)	1	选装/optional
	255042510001	Side shifter assembly(LD)	侧移器总成(LD)	1	选装/optional
	255042510002	Side shifter assembly(CASCADE)	侧移器总成(卡斯卡特)	1	选装/optional
22	910200200062	ScrewGB5783-M8x45-8.8	螺钉GB70. 1-M8x45-8. 8	2	
23	255028520035	Pipe press fixedly plank	管夹安装板	2	
24	255028520034	Rubber pipe lump	胶管固定块	2	



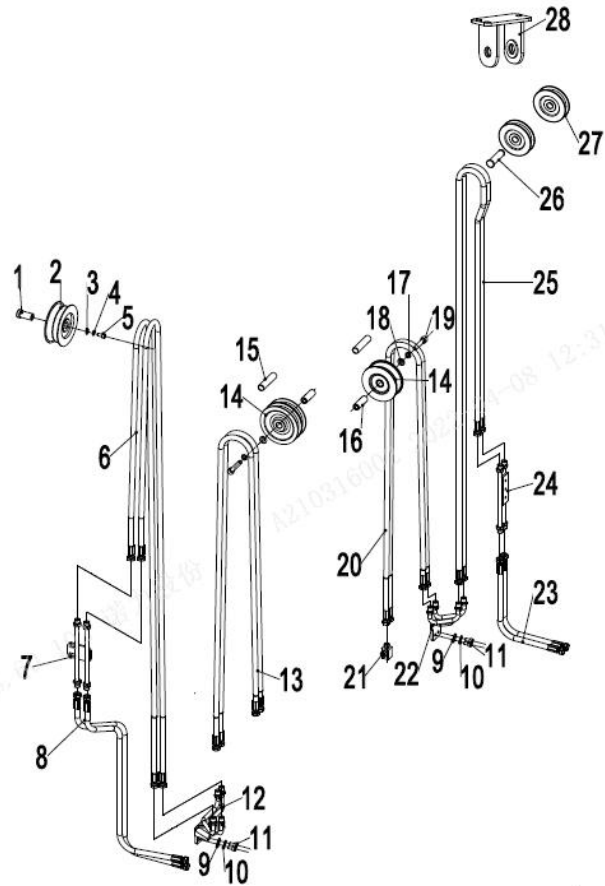
254198501045 双附加管路(三级全自由)/DOUBLE ADDITIONAL TUBE(three stage full free)

序号/NO	编码/SN	Name	名称	数量/QTY	备注/Remark
1	254130520016	Bush $\Phi 20 \times \Phi 13 \times 43$	衬套 $\Phi 20 \times \Phi 13 \times 43$	1	
2	255030520020	Pulley $\Phi 120 \times 42$	滑轮 $\Phi 120 \times 42$ (双槽)	1	
3	910400200005	Washer GB96.1-12-200HV	大垫圈 GB96.1-12-200HV	3	
4	910400500008	Washer GB93-12	弹簧垫圈 GB93-12	3	
5	910100100048	Bolt GB5782-M12x50-8.8	螺栓 GB5782-M12x50-8.8	3	
6	255030520001	Hydraulic hose assembly 10-L2060	液压管总成(直)10-L2060-1SC-60°	2	H=4000
	255030520002	Hydraulic hose assembly 10-L2310	液压管总成(直)10-L2310-1SC-60°	2	H=4350
	255030520003	Hydraulic hose assembly 10-L2410	液压管总成(直)10-L2410-1SC-60°	2	H=4500
	255030520004	Hydraulic hose assembly 10-L2610	液压管总成(直)10-L2610-1SC-60°	2	H=4800
	254130520001	Hydraulic hose assembly 10-L2810	液压管总成(直)10-L2810-1SC-60°	2	H=5000
	254130520002	Hydraulic hose assembly 10-L3110	液压管总成(直)10-L3110-1SC-60°	2	H=5500
	254130520003	Hydraulic hose assembly 10-L3510	液压管总成(直)10-L3510-1SC-60°	2	H=6000
7	255030520018	Hydraulic steel pipe welding 1	液压钢管焊接1	1	
8	255029020014	Hydraulic hose assembly 10-L1340	液压管总成(直)10-L1340-1SC-60°	2	
9	910400100006	Washer GB97.1-8-200HV	平垫圈 GB97.1-8-200HV	8	
10	910400500006	Washer GB93-8	弹簧垫圈 GB93-8	8	
11	910100300022	Bolt GB5783-M8x20-8.8	螺栓 GB5783-M8x20-8.8	8	
12	255030520019	Hydraulic steel pipe welding 2	液压钢管焊接2	1	
13	255028520015	Hydraulic hose assembly 10-L1770	液压管总成(直)10-L1770-1SC-60°	2	H=4000
	254130520005	Hydraulic hose assembly 10-L1890	液压管总成(直)10-L1890-1SC-60°	2	H=4350
	255030520025	Hydraulic hose assembly 10-L1940	液压管总成(直)10-L1940-1SC-60°	2	H=4500
	254130520006	Hydraulic hose assembly 10-L2040	液压管总成(直)10-L2040-1SC-60°	2	H=4800
	254130520007	Hydraulic hose assembly 10-L2140	液压管总成(直)10-L2140-1SC-60°	2	H=5000
	255030520002	Hydraulic hose assembly 10-L2310	液压管总成(直)10-L2310-1SC-60°	2	H=5500
	254130520009	Hydraulic hose assembly 10-L2470	液压管总成(直)10-L2470-1SC-60°	2	H=6000
14	255030520021	Pulley $\Phi 110 \times 27$	滑轮 $\Phi 110 \times 27$ (单槽)	4	
15	254130520014	Pulley pole	滑轮挡杆	2	
16	255030520022	Bush $\Phi 20 \times \Phi 13 \times 56$	衬套 $\Phi 20 \times \Phi 13 \times 56$	1	
17	910100100058	Bolt GB5782-M12x100-8.8	螺栓 GB5782-M12x100-8.8	1	
18	910400200005	Washer GB96.1-12-200HV	大垫圈 GB96.1-12-200HV	2	
19	910100100056	Bolt GB5782-M12x90-8.8	螺栓 GB5782-M12x90-8.8	1	

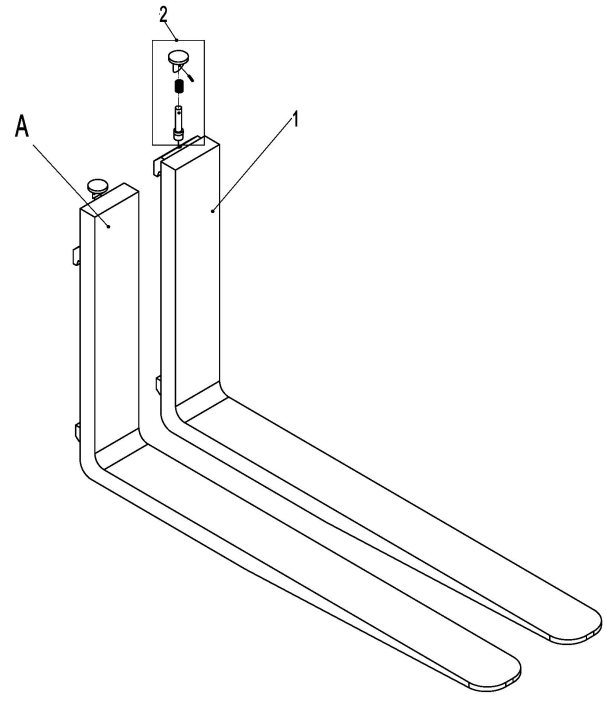


254198501045 双附加管路(三级全自由)/DOUBLE ADDITIONAL TUBE(three stage full free)

序号/NO	编码/SN	Name	名称	数量/QTY	备注/Remark
20	255028520015	Hydraulic hose assembly 10-L1770	液压管总成(直)10-L1770-1SC-60°	2	H=4000
	254130520005	Hydraulic hose assembly 10-L1890	液压管总成(直)10-L1890-1SC-60°	2	H=4350
	255030520025	Hydraulic hose assembly 10-L1940	液压管总成(直)10-L1940-1SC-60°	2	H=4500
	254130520006	Hydraulic hose assembly 10-L2040	液压管总成(直)10-L2040-1SC-60°	2	H=4800
	254130520007	Hydraulic hose assembly 10-L2140	液压管总成(直)10-L2140-1SC-60°	2	H=5000
	255030520002	Hydraulic hose assembly 10-L2310	液压管总成(直)10-L2310-1SC-60°	2	H=5500
	254130520009	Hydraulic hose assembly 10-L2470	液压管总成(直)10-L2470-1SC-60°	2	H=6000
21	255029020024	Joint 8-2XM16x1.5-60°	接头(锁定弯)8-2xm16x1.5-60°	4	
22	255031020006	Hydraulic steel pipe welding	液压钢管焊合	1	
23	255029020011	Hydraulic hose assembly 10-L1260	液压管总成(直)10-L1260-1SC-60°	2	
24	255028510022	Excessive pipe welding	过渡钢管	1	
25	255030520003	Hydraulic hose assembly 10-L2410	液压管总成(直)10-L2410-1SC-60°	2	H=4000
	254128520052	Hydraulic hose assembly 10-L2650	液压管总成(直)10-L2650-1SC-60°	2	H=4350
	254131020006	Hydraulic hose assembly 10-L2750	液压管总成(直)10-L2750-1SC-60°	2	H=4500
	254131020007	Hydraulic hose assembly 10-L2950	液压管总成(直)10-L2950-1SC-60°	2	H=4800
	254128520037	Hydraulic hose assembly 10-L3150	液压管总成(直)10-L3150-1SC-60°	2	H=5000
	254131020009	Hydraulic hose assembly 10-L3450	液压管总成(直)10-L3450-1SC-60°	2	H=5500
	254131020010	Hydraulic hose assembly 10-L3850	液压管总成(直)10-L3850-1SC-60°	2	H=6000
26	255031020004	Axle Φ20x70	带耳轴Φ20x70	1	
27	255031020007	Pulley Φ90x22	滑轮Φ90x22(单槽)	2	
28	254131010002	Pulley support welded 1	滑轮支架焊合1	1	



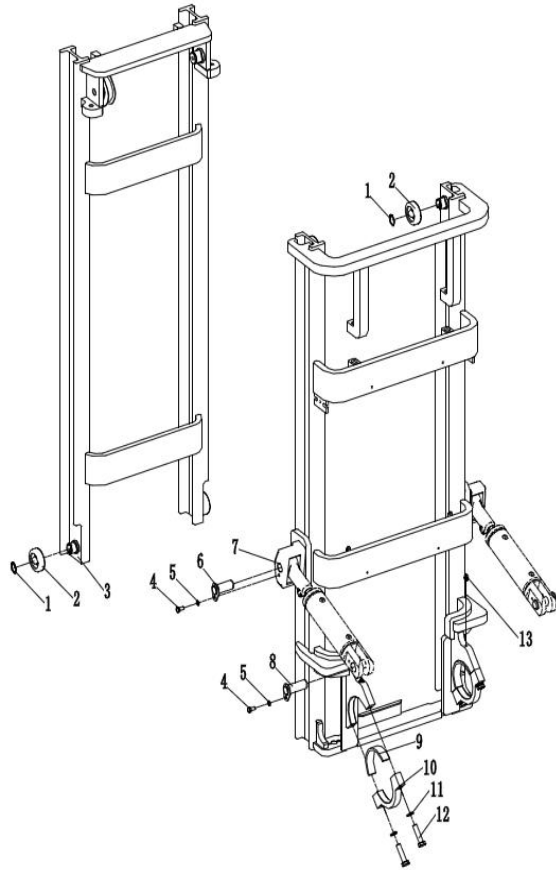
254198501046 货叉/Fork



序号/NO	编码/SN	Name	名称	数量/QTY	备注/Remark
A	940100100001	Fork 100x35x920	挂钩IIA型货叉100x35x920	2	包含/Inc. 1-2
	940100100002	Fork 100x35x950	挂钩IIA型货叉100x35x950	2	选装/optional
	940100100003	Fork 100x35x1070	挂钩IIA型货叉100x35x1070	2	选装/optional
	940100100004	Fork 100x35x1150	挂钩IIA型货叉100x35x1150	2	选装/optional
	940100100005	Fork 100x35x1220	挂钩IIA型货叉100x35x1220	2	选装/optional
1	▲	Fork body	货叉体	2	
2	253098514101	Lift pin assembly	提销总成	2	

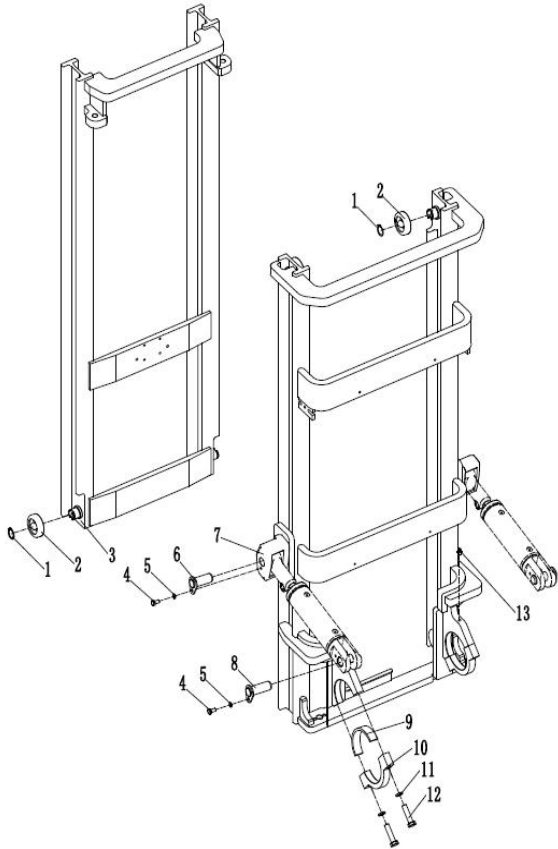
254198501050 门架(标准门架)/Mast (standard mast)

序号/NO	编码/SN	Name	名称	数量/QTY	备注/Remark
1	910401300018	Circlip GB894.1-35	轴用弹性挡圈GB894.1-35	4	
2	940200300035	Composite roller $\Phi 78.3 = 52.5-56.5$	复合滚轮 $\Phi 78.3$ -range=52.5-56.5 (4	
3	254144010011	Mast 2500	内门架焊合(2500)	1	H=2500
	254144010012	Mast 2700	内门架焊合(2700)	1	H=2700
	254144010013	Mast 3000	内门架焊合(3000)	1	H=3000
	254144010014	Mast 3300	内门架焊合(3300)	1	H=3300
	254144010015	Mast 3500	内门架焊合(3500)	1	H=3500
	254144010016	Mast 3700	内门架焊合(3700)	1	H=3700
	254144010017	Mast 4000	内门架焊合(4000)	1	H=4000
	254144010018	Mast 4300	内门架焊合(4300)	1	H=4300
	254144010019	Mast 4500	内门架焊合(4500)	1	H=4500
	254144010020	Mast 5000	内门架焊合(5000)	1	H=5000
4	910100300035	Bolt GB5783-M10x20-8.8	螺栓GB5783-M10x20-8.8	4	
5	910400500007	Washer GB93-16	弹簧垫圈GB93-16	4	
6	255044010057	Axle $\phi 30 \times 82$	带耳轴 $\phi 30 \times 82$	2	
7	254144010001	Mast 2500	外门架焊合(2500)	1	H=2500
	254144010002	Mast 2700	外门架焊合(2700)	1	H=2700
	254144010003	Mast 3000	外门架焊合(3000)	1	H=3000
	254144010004	Mast 3300	外门架焊合(3300)	1	H=3300
	254144010005	Mast 3500	外门架焊合(3500)	1	H=3500
	254144010006	Mast 3700	外门架焊合(3700)	1	H=3700
	254144010007	Mast4000	外门架焊合(4000)	1	H=4000
	254144010008	Mast 4300	外门架焊合(4300)	1	H=4300
	254144010009	Mast 4500	外门架焊合(4500)	1	H=4500
	254144010010	Mast 5000	外门架焊合(5000)	1	H=5000
8	251144010001	Axle $\phi 30 \times 82$	(油孔) 带耳轴 $\phi 30 \times 82$	2	
9	254144020063	Bearing bush	轴瓦	2	
10	254144020100	Bearing cover	轴承盖	2	
11	910400500010	Washer GB93-16	弹簧垫圈GB93-16	4	
12	910100200016	Bolt GB5785-M16x1.5x70-8.8	螺栓GB5785-M16x1.5x70-8.8	4	
13	911200100004	Grease nipple JB7940.1-M10x1	油杯JB7940.1-M10x1	2	



254198501051 门架 (二级全自由) / Mast (three stage full free)

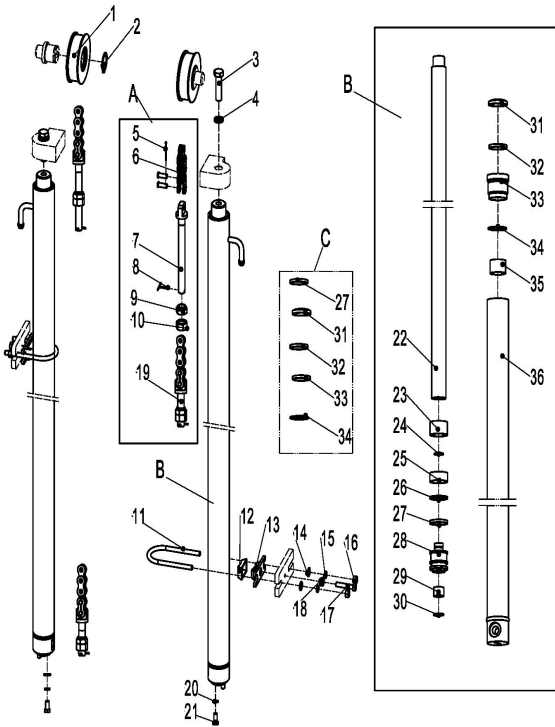
序号/NO	编码/SN	Name	名称	数量/QTY	备注/Remark
1	910401300018	Circlip GB894.1-35	轴用弹性挡圈GB894.1-35	4	
2	940200300035	Composite roller $\Phi 78.3 = 52.5-56.5$	复合滚轮 $\Phi 78.3$ -range=52.5-56.5 (4	
3	254143510011	Mast 2500	内门架焊合 (2500)	1	H=2500
	254143510012	Mast 2700	内门架焊合 (2700)	1	H=2700
	254143510013	Mast 3000	内门架焊合 (3000)	1	H=3000
	254143510014	Mast 3300	内门架焊合 (3300)	1	H=3300
	254143510015	Mast 3500	内门架焊合 (3500)	1	H=3500
	254143510016	Mast 3700	内门架焊合 (3700)	1	H=3700
	254143510017	Mast 4000	内门架焊合 (4000)	1	H=4000
	254143510018	Mast 4300	内门架焊合 (4300)	1	H=4300
	254143510019	Mast 4500	内门架焊合 (4500)	1	H=4500
254143510020	Mast 5000	内门架焊合 (5000)	1	H=5000	
4	910100300035	Bolt GB5783-M10x20-8.8	螺栓GB5783-M10x20-8.8	4	
5	910400500007	Washer GB93-10	弹簧垫圈GB93-10	4	
6	255044010057	Axle $\phi 30 \times 82$	带耳轴 $\phi 30 \times 82$	2	
7	254143510001	Mast 2500	外门架焊合 (2500)	1	H=2500
	254143510002	Mast 2700	外门架焊合 (2700)	1	H=2700
	254143510003	Mast 3000	外门架焊合 (3000)	1	H=3000
	254143510004	Mast 3300	外门架焊合 (3300)	1	H=3300
	254143510005	Mast 3500	外门架焊合 (3500)	1	H=3500
	254143510006	Mast 3700	外门架焊合 (3700)	1	H=3700
	254143510007	Mast4000	外门架焊合 (4000)	1	H=4000
	254143510008	Mast 4300	外门架焊合 (4300)	1	H=4300
	254143510009	Mast 4500	外门架焊合 (4500)	1	H=4500
	254143510010	Mast 5000	外门架焊合 (5000)	1	H=5000
8	251144010001	Axle $\phi 30 \times 82$	(油孔) 带耳轴 $\phi 30 \times 82$	2	
9	254144020063	Bearing bush	轴瓦	2	
10	254144020100	Bearing cover	盖	2	
11	910400500010	Washer GB93-16	弹簧垫圈GB93-16	4	
12	910100200016	Bolt GB5785-M16x1.5x70-8.8	螺栓GB5785-M16x1.5x70-8.8	4	
13	911200100004	Grease nipple JB7940.1-M10x1	油杯JB7940.1-M10x1	2	



254198501052 门架(三级全自由) /Gantry (three levels of full freedom)

序号/NO	编码/SN	Name	名称	数量/QTY	备注/Remark
1	910401300018	Circlip GB894.1-35	轴用弹性挡圈GB894.1-35	4	
2	940200300035	Composite roller $\Phi 78.3 = 52.5-56$	复合滚轮 $\Phi 78.3$ -range=52.5-56.5	4	
3	254144510001	Mast 4000	外门架焊合4000	1	H=4000
	254144510002	Mast 4350	外门架焊合4350	1	H=4350
	254144510003	Mast 4500	外门架焊合4500	1	H=4500
	254144510004	Mast 4800	外门架焊合4800	1	H=4800
	254144510005	Mast 5000	外门架焊合5000	1	H=5000
	254144510006	Mast 5500	外门架焊合5500	1	H=5500
254144510007	Mast 6000	外门架焊合6000	1	H=6000	
4	254144520030	Embrace hoop	内门架链条固定板	2	
5	910400100010	Washer GB97.1-16200HV	平垫圈GB97.1-16-200HV	4	
6	910400500010	Washer GB93-16	弹簧垫圈GB93-16	4	
7	910100400028	Bolt GB5786-M16x1.5 x35-8.8	螺栓GB5786-M16x1.5x35-8.8	4	
8	254144510023	Mast 4000	中门架焊合4000	1	H=4000
	254144510024	Mast 4350	中门架焊合4350	1	H=4350
	254144510025	Mast 4500	中门架焊合4500	1	H=4500
	254144510026	Mast 4800	中门架焊合4800	1	H=4800
	254144510027	Mast 5000	中门架焊合5000	1	H=5000
	254144510028	Mast 5500	中门架焊合5500	1	H=5500
254144510029	Mast 6000	中门架焊合6000	1	H=6000	
9	910100300035	Bolt GB5783-M10x20-8.8	螺栓GB5783-M10x20-8.8	4	
10	910400500007	Washer GB93-10	弹簧垫圈GB93-10	4	
11	910400100007	Washer GB97.1-10-200HV	平垫圈GB97.1-10-200HV	4	
12	255044010057	Axle $\phi 30 \times 82$	带耳轴 $\Phi 30 \times 82$	2	
13	254144510037	Mast4000	内门架焊合4000	1	H=4000
	254144510038	Mast 4350	内门架焊合4350	1	H=4350
	254144510039	Mast4500	内门架焊合4500	1	H=4500
	254144510040	Mast4800	内门架焊合4800	1	H=4800
	254144510041	Mast 5000	内门架焊合5000	1	H=5000
	254144510042	Mast 5500	内门架焊合5500	1	H=5500
254144510043	Mast 6000	内门架焊合6000	1	H=6000	

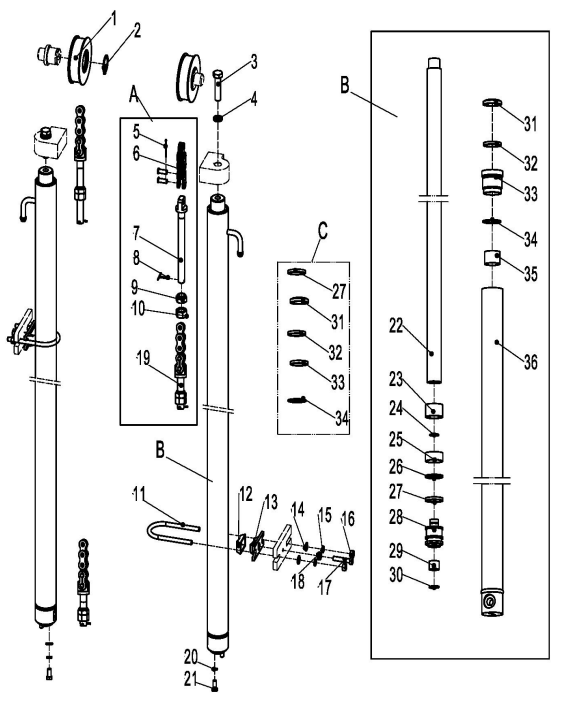
254198501053 起升油缸(标准门架) /Lifting cylinder(standard mast)



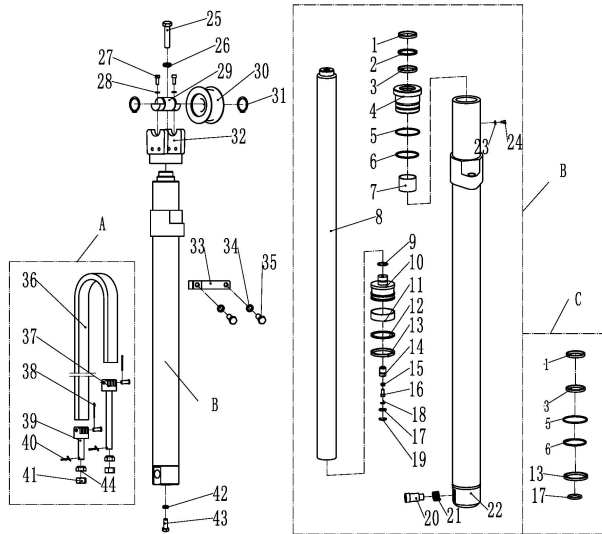
序号/NO	编码/SN	Name	名称	数量/QTY	备注/Remark
A	252044510005	Lifting chain LH1234-85	起升链条LH1234-85	2	H=2500
	252144014001	Lifting chain LH1234-91	起升链条LH1234-91	2	H=2700
	252144014011	Lifting chain LH1234-99	起升链条LH1234-99	2	H=3000
	252144014003	Lifting chain LH1234-105	起升链条LH1234-105	2	H=3300
	251244014011	Lifting chain LH1234-111	起升链条LH1234-111	2	H=3500
	252144014005	Lifting chain LH1234-117	起升链条LH1234-117	2	H=3700
	251244514007	Lifting chain LH1234-135	起升链条LH1234-135	2	H=4000
	251244514008	Lifting chain LH1234-145	起升链条LH1234-145	2	H=4300
	252144014008	Lifting chain LH1234-147	起升链条LH1234-147	2	H=4500
	252144014009	Lifting chain LH1234-161	起升链条LH1234-161	2	H=5000
B	254144010021	Cylinder(H=2500)	油缸 (H=2500)	2	H=2500
	254144010022	Cylinder(H=2700)	油缸 (H=2700)	2	H=2700
	254144010023	Cylinder(H=3000)	油缸 (H=3000)	2	H=3000
	254144010024	Cylinder(H=3300)	油缸 (H=3300)	2	H=3300
	254144010025	Cylinder(H=3500)	油缸 (H=3500)	2	H=3500
	254144010026	Cylinder(H=3700)	油缸 (H=3700)	2	H=3700
	254144010027	Cylinder(H=4000)	油缸 (H=4000)	2	H=4000
	254144010028	Cylinder(H=4300)	油缸 (H=4300)	2	H=4300
	254144010029	Cylinder(H=4500)	油缸 (H=4500)	2	H=4500
	254144010030	Cylinder(H=5000)	油缸 (H=5000)	2	H=5000
C	254198510001	Seal kits(standard mast lifting cylinder)	密封件修理包(标准门架起升缸)	2	
1	940200500004	Chain wheel bearing780708K1-Φ9	链轮轴承780708K1-Φ95xΦ40x21	2	
2	910401300020	Circlip GB894.1-40	轴用弹性挡圈GB894.1-40	2	
3	910100300051	Bolt GB5783-M12x35-8.8	螺栓GB5783-M12x35-8.8	2	
4	910400500008	Washer GB93-12	弹簧垫圈GB93-12	2	
5	▲	Split pin 2x3	开口销 2x32	2	
6	▲	LH1223 chain	LH1223板式链	2	
7	▲	Joint	长端接头	2	
8	▲	Split pin 3.2x30	开口销 3.2x30	2	
9	▲	Nut M16x1.5	螺母M16x1.5	2	
10	▲	Nut M16x1.5	球面螺母M16x1.5	2	

254198501053 起升油缸(标准门架) /Lifting cylinder(standard mast)

序号/NO	编码/SN	Name	名称	数量/QTY	备注/Remark
11	▲	Joint	短端接头	2	
12	254144020060	Fixing ring	固定环	2	
13	254144020061	shield	防护罩	2	
14	254144020062	Fixing seat	固定座	2	
15	910400100006	Washer GB97.1-8-200HV	平垫圈GB97.1-8-200HV	4	
16	910400500006	Washer GB93-8	弹簧垫圈GB93-8	4	
17	910300100006	Nut GB6170-M8-10	螺母GB6170-M8-10	4	
18	910300100007	Nut GB6170-M10-10	螺母GB6170-M10-10	2	
19	910100300038	Bolt GB5783-M10x35-8.8	螺栓GB5783-M10x35-8.8	2	
20	910400500007	Washer GB93-10	弹簧垫圈GB93-10	6	
21	910100400002	Bolt GB5786-M10x1.25x20-8.8	螺栓GB5786-M10x1.25x20-8.8	2	
22	▲	Piston rod	活塞杆	1	
23	▲	Adjusting bushing $\phi 35.5 \times \phi 44 \times L1$	调整套 $\phi 35.5 \times \phi 44 \times L1$	1	
24	▲	Circlip	钢丝挡圈	1	
25	▲	Bearing D45x8(t=2.5)	支承环D45x8(t=2.5)	1	
26	▲	Catch35x45x3	挡片35x45x3	1	
27	▲	Seal ring 45x35x6	孔用密封圈	1	
28	▲	Piston rod	活塞	1	
29	▲	Copper bushing	铜套	1	
30	▲	Circlip	钢丝挡圈	1	
31	▲	Dust ring	防尘圈	1	
32	▲	Seal ring	轴用密封圈	1	
33	▲	Guide sleeve	导向套	1	
34	▲	O ring	O型密封圈	1	
35	▲	Bearing 3530	钢背轴承3530	1	
36	▲	Cylinder	缸体	1	

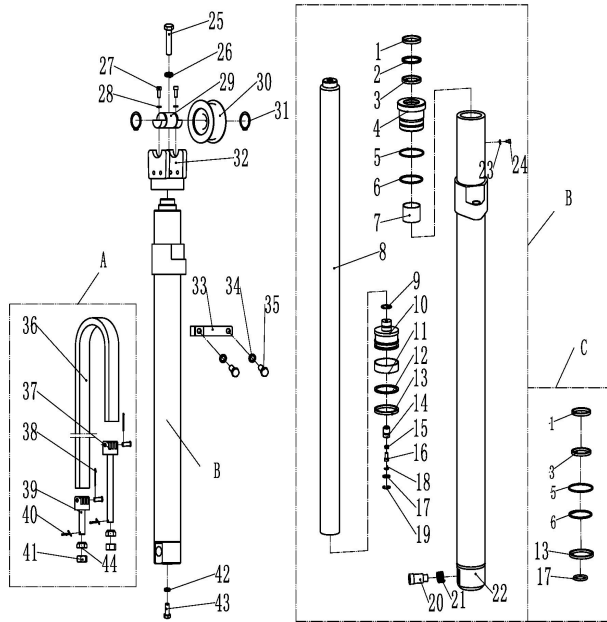


254198501054 短升降油缸(二级全自由)/Short lifting cylinder (two stage full free)



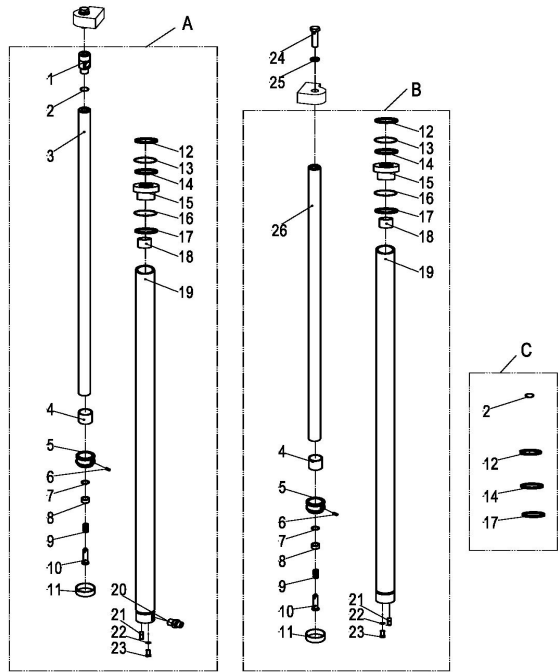
序号/NO	编码/SN	Name	名称	数量/QTY	备注/Remark
A	254143510060	Lifting chain LH1266-65	起升链条LH1266-65	2	H=2500
	254143515001	Lifting chain LH1266-71	起升链条LH1266-67	2	H=2700
	254143510061	Lifting chain LH1266-79	起升链条LH1266-71	2	H=3000
	254144510016	Lifting chain LH1266-87	起升链条LH1266-75	2	H=3300
	254144510017	Lifting chain LH1266-93	起升链条LH1266-77	2	H=3500
	254144540004	Lifting chain LH1266-97	起升链条LH1266-81	2	H=3700
	252143510071	Lifting chain LH1266-105	起升链条LH1266-85	2	H=4000
	254144510019	Lifting chain LH1266-113	起升链条LH1266-89	2	H=4300
	252143510072	Lifting chain LH1266-119	起升链条LH1266-91	2	H=4500
	254143510065	Lifting chain LH1266-133	起升链条LH1266-97	2	H=5000
B	254143510100	cylinder (M)(H=2500)	油缸 (M) (H=2500)	1	H=2500
	254143510101	cylinder (M)(H=2700)	油缸 (M) (H=2700)	1	H=2700
	254143510102	cylinder (M)(H=3000)	油缸 (M) (H=3000)	1	H=3000
	254143510103	cylinder (M)(H=3300)	油缸 (M) (H=3300)	1	H=3300
	254143510104	cylinder (M)(H=3500)	油缸 (M) (H=3500)	1	H=3500
	254143510105	cylinder (M)(H=3700)	油缸 (M) (H=3700)	1	H=3700
	254143510106	cylinder (M)(H=4000)	油缸 (M) (H=4000)	1	H=4000
	254143510107	cylinder (M)(H=4300)	油缸 (M) (H=4300)	1	H=4300
	254143510108	cylinder (M)(H=4500)	油缸 (M) (H=4500)	1	H=4500
	254143510109	cylinder (M)(H=5000)	油缸 (M) (H=5000)	1	H=5000
C	254198510004	Seal kits (two stage full free middle	密封件修理包(二级全自由中缸)	1	
1	▲	Dust ring	防尘圈	1	
2	▲	Catch 50x60x3	挡片50x60x3	1	
3	▲	Seal ring	轴用密封圈	1	
4	▲	Guide sleeve	导向套	1	
5	▲	O ring D75	O型密封圈D75	1	
6	▲	O ring D70	O型密封圈D70	1	
7	▲	Bearing 5035	钢背轴承5035	1	
8	▲	Piston rod	活塞杆	1	
9	▲	Circlip	钢丝挡圈	1	
10	▲	Piston assembly	活塞总成	1	

254198501054 短升降油缸(二级全自由)/Short lifting cylinder (two stage full free)



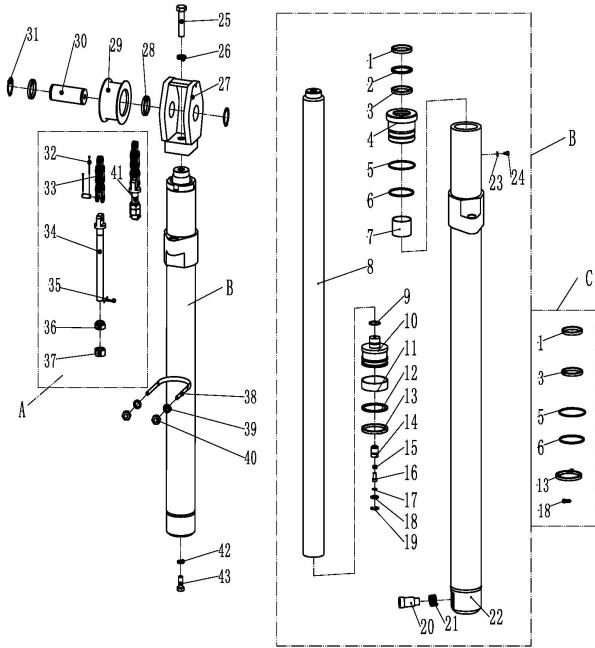
序号/NO	编码/SN	Name	名称	数量/QTY	备注/Remark
11	▲	Back up ring 70x20x3	支承环70x20x3	1	
12	▲	Circlip 70x60x3	挡圈70x60x3	1	
13	▲	Seal ring	密封圈	1	
14	▲	Valve bushing	阀套	1	
15	▲	Spring	弹簧	1	
16	▲	Valve plug	阀芯	1	
17	▲	O ring	O型密封圈	1	
18	▲	Circlip $\phi 12$	挡圈 $\phi 12$	1	
19	▲	Circlip $\phi 22$	挡圈 $\phi 22$	1	
20	▲	Slide valve	滑阀	1	
21	▲	Spring	弹簧	1	
22	▲	Cylinder	缸体	1	
23	▲	Spacer	垫片	1	
24	▲	Screw M5x5	螺钉M5x5	1	
25	910100300069	Bolt GB5783-M16x35-8.8	螺栓GB5783-M16x35-8.8	1	
26	910400500010	Washer GB93-16	弹簧垫圈GB93-16	1	
27	910200200057	ScrewGB70.1- M8x20-8.8	螺钉GB70.1-M8x20-8.8	2	
28	910400500006	Washer GB93-8	弹簧垫圈GB93-8	4	
29	254143520056	Chain wheel bearing	链轮轴	1	
30	940200500009	Chain wheel bearing 785208-00- ϕ	链轮轴承785208-00- $\phi 95 \times \phi 40 \times \phi 4$	1	
31	910401300020	Circlip GB894.1-40	轴用弹性挡圈GB894.1-40	2	
32	254143510050	Chain wheel weld	链轮座焊合	1	
33	254143520072	Embrace hoop	抱箍	1	
34	910400100006	Washer GB97.1-8-200HV	平垫圈GB97.1-8-200HV	2	
35	910100300022	Bolt GB5783-M8x20-8.8	螺栓GB5783-M8x20-8.8	2	
36	▲	LH1266 chain	LH1266板式链	1	
37	254143520070	Joint	长端接头	1	
38	▲	Split pin GB91-3.2x40	开口销GB91-3.2x40	1	
39	254143520071	Joint	短端接头	1	
40	▲	Split pin2.5X16	开口销2.5X16	2	
41	▲	Nut M18x1.5	螺母M18X1.5	2	

254198501055 起升油缸(二级全自由)/Lifting cylinder(two stage full free)



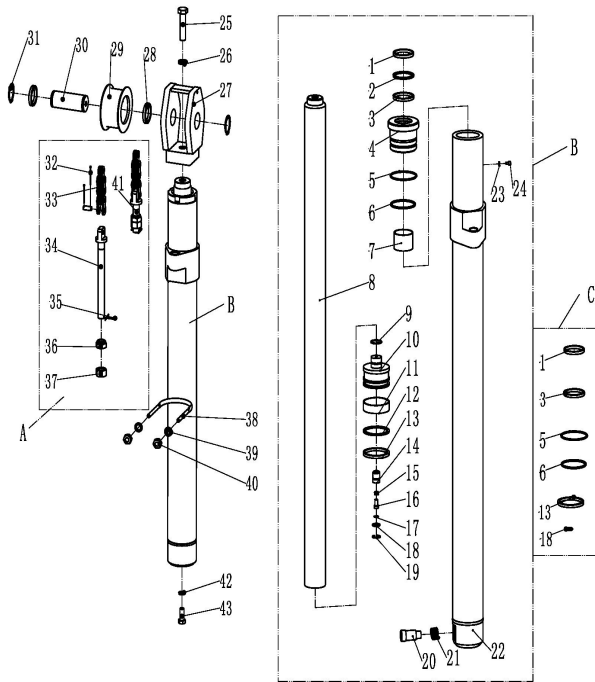
序号/NO	编码/SN	Name	名称	数量/QTY	备注/Remark
A	254143510120	cylinder(R)(H=2500)	油缸 (R) (H=2500)	1	H=2500
	254143510121	cylinder(R)(H=2700)	油缸 (R) (H=2700)	1	H=2700
	254143510122	cylinder(R)(H=3000)	油缸 (R) (H=3000)	1	H=3000
	254143510123	cylinder(R)(H=3300)	油缸 (R) (H=3300)	1	H=3300
	254143510124	cylinder(R)(H=3500)	油缸 (R) (H=3500)	1	H=3500
	254143510125	cylinder(R)(H=3700)	油缸 (R) (H=3700)	1	H=3700
	254143510126	cylinder(R)(H=4000)	油缸 (R) (H=4000)	1	H=4000
	254143510127	cylinder(R)(H=4300)	油缸 (R) (H=4300)	1	H=4300
	254143510128	cylinder(R)(H=4500)	油缸 (R) (H=4500)	1	H=4500
	254143510129	cylinder(R)(H=5000)	油缸 (R) (H=5000)	1	H=5000
B	254143510110	cylinder(L)(H=2500)	油缸 (L) (H=2500)	1	H=2500
	254143510111	cylinder(L)(H=2700)	油缸 (L) (H=2700)	1	H=2700
	254143510112	cylinder(L)(H=3000)	油缸 (L) (H=3000)	1	H=3000
	254143510113	cylinder(L)(H=3300)	油缸 (L) (H=3300)	1	H=3300
	254143510114	cylinder(L)(H=3500)	油缸 (L) (H=3500)	1	H=3500
	254143510115	cylinder(L)(H=3700)	油缸 (L) (H=3700)	1	H=3700
	254143510116	cylinder(L)(H=4000)	油缸 (L) (H=4000)	1	H=4000
	254143510117	cylinder(L)(H=4300)	油缸 (L) (H=4300)	1	H=4300
	254143510118	cylinder(L)(H=4500)	油缸 (L) (H=4500)	1	H=4500
	254143510119	cylinder(L)(H=5000)	油缸 (L) (H=5000)	1	H=5000
C	254198510002	Seal kits (two stage full free lifting c	密封件修理包(二级全自由起升缸)	2	
1	▲	Connecting rod	左连接杆	1	
2	▲	O ring	O型密封圈	1	
3	▲	Piston rod assembly	左柱塞杆总成	1	
4	▲	Adjusting bushing	调整套	2	
5	▲	Piston	缓冲活塞	2	
6	▲	ScrewM4x6	内六角凹端紧固螺钉M4x6	2	
7	▲	Circlip φ18	钢丝挡圈 φ18	2	
8	▲	Copper bushing	铜套	2	
9	▲	Spring	弹簧	2	
10	▲	Buffer plunger	缓冲柱塞	2	

254198501056 短升降油缸 (三级全自由) /Short lifting cylinder (three stage full free)



序号/NO	编码/SN	Name	名称	数量/QTY	备注/Remark
A	254144510014	Lifting chain LH1266-69	起升链条LH1266-69	2	H=4000
	254143510061	Lifting chain LH1266-71	起升链条LH1266-71	2	H=4350
	254144510015	Lifting chain LH1266-73	起升链条LH1266-73	2	H=4500
	254144510016	Lifting chain LH1266-75	起升链条LH1266-75	2	H=4800
	254144510017	Lifting chain LH1266-77	起升链条LH1266-77	2	H=5000
	254144540004	Lifting chain LH1266-81	起升链条LH1266-81	2	H=5500
	254143510063	Lifting chain LH1266-87	起升链条LH1266-87	2	H=6000
B	254144510030	Cylinder (M)(H=4000)	油缸 (M) (H=4000)	1	H=4000
	254144510031	Cylinder (M)(H=4350)	油缸 (M) (H=4350)	1	H=4350
	254144510032	Cylinder (M)(H=4500)	油缸 (M) (H=4500)	1	H=4500
	254144510033	Cylinder (M)(H=4800)	油缸 (M) (H=4800)	1	H=4800
	254144510034	Cylinder (M)(H=5000)	油缸 (M) (H=5000)	1	H=5000
	254144510035	Cylinder (M)(H=5500)	油缸 (M) (H=5500)	1	H=5500
	254144510036	Cylinder (M)(H=6000)	油缸 (M) (H=6000)	1	H=6000
C	254198510005	Seal kits (three stage full free lifting)	密封件修理包 (三级全自由中缸)	1	
1	▲	Dust ring	防尘圈	1	
2	▲	Catch 50×60×3	挡片50x60x3	1	
3	▲	Seal ring	轴用密封	1	
4	▲	Glide sleeve	导向套	1	
5	▲	O ring D75	O型密封圈D75	1	
6	▲	O ring D75	O型密封圈D70	1	
7	▲	Bearing5035	钢背轴承 5035	1	
8	▲	Piston rod	活塞杆	1	
9	▲	Circlip	钢丝挡圈	1	
10	▲	Piston assembly	活塞体	1	
11	▲	Support ring 70x20x3	支承环70x20x3	1	
12	▲	Catch 70x60x3	挡片70x60x3	1	
13	▲	Seal ring	孔用密封圈	1	
14	▲	Valve cover	阀套	1	
15	▲	Spring	弹簧	1	
16	▲	Valve plug	阀芯	1	

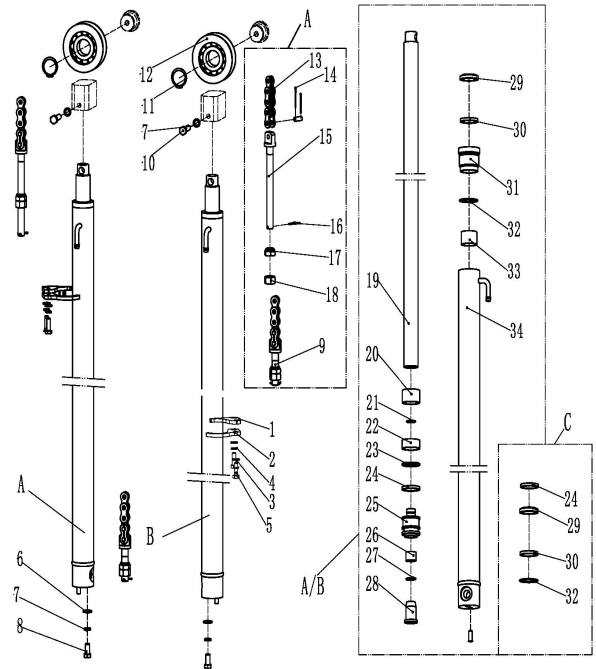
254198501056 短升降油缸 (三级全自由) /Short lifting cylinder (three stage full free)



序号/NO	编码/SN	Name	名称	数量/QTY	备注/Remark
17	▲	Catch	挡片	1	
18	▲	O ring	O型密封圈D20x2.4	1	
19	▲	Circlip 22	挡圈 22	1	
20	▲	Slide valve	滑阀	1	
21	▲	Spring2.3x15x48.5	弹簧2.3x15x48.5	1	
22	▲	Cylinder	缸体	1	
23	▲	Spacer	垫片	1	
24	▲	Screw M5x5	内六角圆柱头螺钉M5x5	1	
25	910100300069	Bolt GB5783-M16x35-8.8	螺栓5783-M16x35-8.8	1	
26	910400500010	SpringWasherGB93-16	弹簧垫圈GB93-16	1	
27	254144510020	Chain wheel base	链轮座	1	
28	254144520029	Chain wheel washer	链轮垫圈	1	
29	940200500009	Chain wheel bearing 785208-00-φ	链轮轴承785208-00-φ95xφ40x47	1	
30	254144520031	Chain wheel bearing	链轮轴	1	
31	910401300020	Circlip GB894.1-40	轴用弹性挡圈GB894.1-40	2	
32	▲	split pin2.5x40	开口销2.5x40	2	
33	▲	LH1266 chain	LH1266板式链	2	
34	254143520070	Joint	长端接头	2	
35	▲	Split pin 3.2x30	开口销3.2x30	2	
36	▲	Nut M18x1.5	球面螺母M18x1.5	2	
37	▲	Nut M18x1.5	螺母M18x1.5	2	
38	254144520032	Hydro cylinder fixed loop	油缸固定环	1	
39	910400500006	Spring Washer GB93-8	弹簧垫圈GB93-8	2	
40	910300100006	Bolt GB6170-M8-10	螺母GB6170-M8-10	2	
41	254143520071	Joint	短端接头	2	
42	910400500008	SpringWasherGB93-12	弹簧垫圈GB93-12	1	
43	910100400009	BoltGB5786-M12x1.25x25-8.8	螺栓GB5786-M12x1.25x25-8.8	1	

254198501057 起升油缸(三级全自由)/Lifting cylinder(three stage full free)

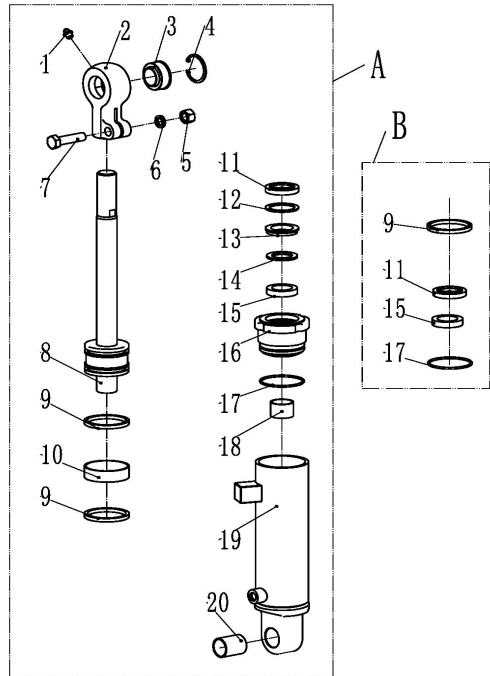
序号/NO	编码/SN	Name	名称	数量/QTY	备注/Remark
A	254144510044	Cylinder (L)(H=4000)	油缸 (L) (H=4000)	1	H=4000
	254144510045	Cylinder (L)(H=4350)	油缸 (L) (H=4350)	1	H=4350
	254144510046	Cylinder (L)(H=4500)	油缸 (L) (H=4500)	1	H=4500
	254144510047	Cylinder (L)(H=4800)	油缸 (L) (H=4800)	1	H=4800
	254144510048	Cylinder (L)(H=5000)	油缸 (L) (H=5000)	1	H=5000
	254144510049	Cylinder (L)(H=5500)	油缸 (L) (H=5500)	1	H=5500
	254144510050	Cylinder (L)(H=6000)	油缸 (L) (H=6000)	1	H=6000
B	254144510051	CyRinder (R)(H=4000)	油缸 (R) (H=4000)	1	H=4000
	254144510052	CyRinder (R)(H=4350)	油缸 (R) (H=4350)	1	H=4350
	254144510053	CyRinder (R)(H=4500)	油缸 (R) (H=4500)	1	H=4500
	254144510054	CyRinder (R)(H=4800)	油缸 (R) (H=4800)	1	H=4800
	254144510055	CyRinder (R)(H=5000)	油缸 (R) (H=5000)	1	H=5000
	254144510056	CyRinder (R)(H=5500)	油缸 (R) (H=5500)	1	H=5500
	254144510057	CyRinder (R)(H=6000)	油缸 (R) (H=6000)	1	H=6000
C	254198510003	Seal kits(three stage full free lifting)	密封件修理包(三级全自由起升缸)	2	
D	252044510006	Lifting chainLH1234-95	起升链条LH1234-95	2	H=4000
	251244014003	Lifting chainLH1234-101	起升链条LH1234-101	2	H=4350
	252144014003	Lifting chainLH1234-105	起升链条LH1234-105	2	H=4500
	251244014004	Lifting chainLH1234-109	起升链条LH1234-109	2	H=4800
	251244514005	Lifting chainLH1234-115	起升链条LH1234-115	2	H=5000
	252144014002	Lifting chainLH1234-123	起升链条LH1234-123	2	H=5500
	252144014006	Lifting chainLH1234-133	起升链条LH1234-133	2	H=6000
1	254144520093	Inner hoop	内抱箍	2	
2	254144520092	Outer hoop	外抱箍	2	
3	910400500007	Washer GB93-10	弹簧垫圈GB93-10	4	
4	910400100007	Washer GB97.1-10-200HV	平垫圈GB97.1-10-200HV	4	
5	910100300037	BoltM10x30	螺栓GB5783-M10x30-8.8	4	
6	910400100008	Washer GB97.1-12-200HV	平垫圈GB97.1-12-200HV	2	
7	910400500008	Washer GB93-12	弹簧垫圈GB93-12	4	
8	910100400009	Bolt GB5786-M12x1.25x25-8.8	螺栓GB5786-M12x1.25x25-8.8	2	
9	251044020064	Chain bolt	链条螺栓M16x1.5-90	2	



254198501057 起升油缸(三级全自由)/Lifting cylinder(three stage full free)

序号/NO	编码/SN	Name	名称	数量/QTY	备注/Remark
10	910100300053	Bolt GB5783-M12x45-8.8	螺栓GB5783-M12x45-8.8	2	
11	910401300020	Circlip GB894.1-40	轴用弹性挡圈GB894.1-40	2	
12	940200500003	Chain wheel bearing 780708K-φ72	链轮轴承780708K1-φ72xφ30x21	2	
13	▲	LH1223 chain	LH1223板式链	2	
14	▲	Split pin 2x32	开口销 2x32	2	
15	251044020064	Chain bolt M16x1.5-90	链条螺栓M16x1.5-90	2	
16	▲	Split pin 3.2x30	开口销3.2x30	2	
17	▲	Nut M16x1.5	球面螺母M16x1.5	2	
18	▲	Nut M16x1.5	螺母M16x1.5	2	
19	▲	Piston rod	活塞杆	1	
20	▲	Adjusting bushing 35.5x44xL1	调整套35.5x44xL1	1	
21	▲	Circlip	钢丝挡圈	1	
22	▲	Seal ring 45x35x6	孔用密封圈	1	
23	▲	Piston	活塞	1	
24	▲	Copper bushing	铜套	1	
25	▲	Circlip	钢丝挡圈		
26	▲	Buffer ring	缓冲环	1	
27	▲	Dust ring	防尘圈	1	
28	▲	Seal ring	轴用密封圈	1	
29	▲	Guide bushing	导向套	1	
30	▲	O seal ring	O型密封圈	1	
31	▲	Guide bushing	导向套	1	
32	▲	O seal ring	O型密封圈	1	
33	▲	Bearing 3530	钢背轴承3530	1	
34	▲	Cylinder	缸体	1	
27	▲	Dust ring	防尘圈	1	
28	▲	Seal ring	轴用密封圈	1	
29	▲	Guide bushing	导向套	1	
30	▲	O seal ring	O型密封圈	1	
31	▲	Guide bushing	导向套	1	
32	▲	O seal ring	O型密封圈	1	

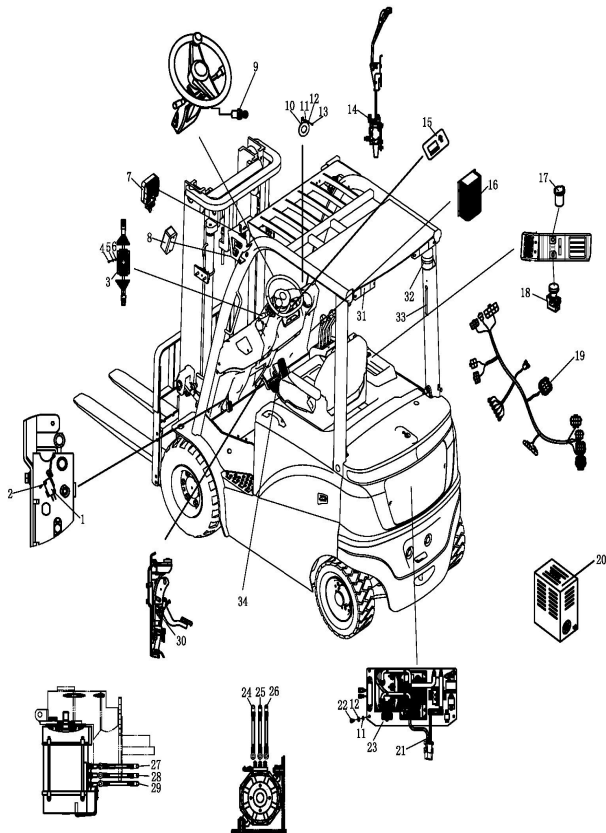
254198501058 倾斜油缸/Tilted cylinder



序号/NO	编码/SN	Name	名称	数量/QTY	备注/Remark
A	254120510001	Cylinder(TL)(6/10)	油缸 (TL) (6/10)	1	H≤3700, Left
	254120510002	Cylinder (TL)(6/6)	油缸 (TL) (6/6)	1	3700<H≤
	254120510003	Cylinder (TL)(3/6)	油缸 (TL) (3/6)	1	5000<H, Left
	254120510005	Cylinder (TR)(6/10)	油缸 (TR) (6/10)	1	H≤3700, Right
	254120510006	Cylinder (TR)(6/6)	油缸 (TR) (6/6)	1	3700<H≤
	254120510007	Cylinder (TR)(3/6)	油缸 (TR) (3/6)	1	5000<H, Right
B	254198510006	Seal kits (tilted cylinder)	密封件修理包 (倾斜缸)	2	
1	▲	Grease mouth Z1/8	直通式滑脂嘴Z1/8	2	
2	254198520501	Earring	耳环	2	
3	▲	Bearing GE30ES	关节轴承GE30ES	2	
4	▲	Circlip 47	挡圈47	2	
5	▲	NutM14	螺母M14	2	
6	▲	Washer14	垫圈14	2	
7	▲	BoltM14x55	螺栓M14x55	2	
8	▲	Piston body assembly	活塞体总成	2	
9	▲	Yx seal ring	Yx型密封圈	2	
10	▲	Support ring	支承环D63x20x2.5	2	
11	▲	Dust ring	防尘圈	2	
12	▲	Circlip 52	挡圈52	2	
13	▲	Circlip	挡圈	2	
14	▲	Catch 48x30x3	挡片48x30x3	2	
15	▲	Useal ring 48x30x10	U型密封圈	2	
16	▲	Guide sleeve	导向套	2	
17	▲	O seal ring 63x3.1	O型密封圈	2	
18	▲	Bearing 3025	钢背轴承3025	2	
19	▲	Cylinder barrel assembly	缸筒总成	2	
20	▲	Bearing 3040	钢背轴承3040	2	

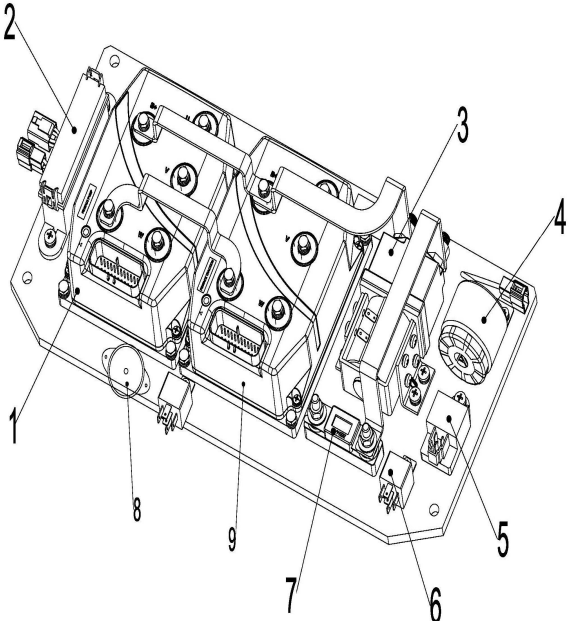
254198501059 电器系统/Electric system

序号/NO	编码/SN	Name	名称	数量/QTY	备注/Remark
1	920200300009	Micro switch RV-166-1C25	微动开关	1	驻车制动
2	910400100003	Washer GB97.1-4-200HV	平垫圈GB97.1-4-200HV	2	
3	920200800013	Combination switch	组合开关	1	
4	910200500038	Screw GB818-M5x12-4.8	螺钉GB818-M5x12-4.8	4	
5	910400500004	Washer GB93-5	弹簧垫圈GB93-5	8	
6	910400100004	Washer GB97.1-5-200HV	平垫圈GB97.1-5-200HV	8	
7	922000100001	Light PDL-LXZM-1	灯PDL-LXZM-1	2	前大灯/
8	922000100002	Light PDL-LXXD-1	灯PDL-LXXD-1	2	前转向灯/front
9	920200200002	Key switch KEYA	钥匙开关	1	
10	920500100001	Horn 125-DC24V	喇叭125-DC24V	1	
11	910400100005	Washer GB97.1-6-200HV	平垫圈GB97.1-6-200HV	1	
12	910400500005	Washer GB93-6	弹簧垫圈GB93-6	1	
13	910200500051	Screw GB818-M6x12-4.8	螺钉GB818-M6x12-4.8	1	
14	920200300004	Micro switch RZ-15GQ22-B3	微动开关	3	多路阀
15	921100100011	Indicator 3501-12-80V	仪表3501	1	Curtis
	921100100045	Indicator IDD	仪表IDD	1	Inmotion
16	921900100001	Transducer DC48V 24V	转换器DC48V转24V	1	
17	921900100004	Transducer DC24V 5V	转换器DC24V转5V	1	
18	920200100020	Emergency switch	急停开关	1	
19	255033010001	Truck body harness(Curtis-4P25N)	车身线束(Curtis-4P25N)	1	Curtis
	255033010011	Truck body harness(Inmotio-4P25N)	车身线束(Inmotion-4P25N)	1	Inmotion
20	921000200067	Charger SN48V55A(Chinese)	充电器SN48V55A(亚中)	1	400/450Ah
	921000200068	Charger SN48V55A(Asia English)	充电器SN48V55A(亚英)	1	400/450Ah
	921000200069	Charger SN48V55A(Europe)	充电器SN48V55A(欧)	1	400/450Ah
	921000200070	Charger SN48V55A(English)	充电器SN48V55A(英)	1	400/450Ah
	921000200071	Charger SN48V55A(Australian)	充电器SN48V55A(澳)	1	400/450Ah
	921000200072	Charger SN48V55A(America)	充电器SN48V55A(美)	1	400/450Ah
	921000200157	Charger SN48V65A(Chinese)	充电器SN48V65A(亚中)	1	500Ah
	921000200158	Charger SN48V65A(Asia English)	充电器SN48V65A(亚英)	1	500Ah
	921000200159	Charger SN48V65A(Europe)	充电器SN48V65A(欧)	1	500Ah
	921000200160	Charger SN48V65A(English)	充电器SN48V65A(英)	1	500Ah



254198501060 电控组件(CURTIS) /Electronic control element (CURTIS)

序号/NO	编码/SN	Name	名称	数量/QTY	备注/Remark
1	254198033001	Controller 1232SE-5321(4P18N-T-	控制器1232SE-5321 (4P18N-T-HP)	1	Plumbic
	254198033002	Controller 1232SE-5321(4P18N-T-	控制器1232SE-5321 (4P18N-T-WN)	1	plumbic
	254198033005	Controller 1232SE-5321(4P18NLI-	控制器1232SE-5321 (4P18NLI-T-HP)	1	LI+HP (锂电+HP)
	254198033006	Controller 1232SE-5321(4P18NLI-	控制器1232SE-5321 (4P18NLI-T-WN)	1	LI+WN (锂电+WN)
2	920100400008	Fuse box BX2081X	保险盒BX2081X	1	
3	920700100005	Contactor DC48C-SW200-262	接触器	1	
4	920500100002	Buzzer DJB-24B	喇叭蜂鸣器DJB-24B	1	
5	922000100005	Light SG252-24V	灯SG252-24V	1	
6	920800100002	Relay DC24V-HFV4	继电器DC24V-HFV4	2	
7	920100100014	Fuse 500A	保险丝500A	1	
8	920500100009	Buzzer DJB-24B	喇叭蜂鸣器HYDZ-48V	1	
9	254198033003	Controller 1232SE-5321(4P18N-T-	控制器1232SE-5321 (4P18N-P-HP)	1	Plumbic
	254198033004	Controller 1232SE-5321(4P18N-T-	控制器1232SE-5321 (4P18N-P-WN)	1	plumbic
	254198033007	Controller 1232SE-5321(4P18NLI-	控制器1232SE-5321 (4P18NLI-P-HP)	1	LI+HP
	254198033008	Controller 1232SE-5321(4P18NLI-	控制器1232SE-5321 (4P18NLI-P-WN)	1	LI+WN



254198501063 锂电池及附配重/Lithium Cell

序号/NO	编码/SN	Name	名称	数量/QTY	备注/Remark
A	254137011001	4P16N Li Battery (300)	4P16N锂电池(300)	1	选装/optional
	254137011002	4P16N Li Battery (400)	4P16N锂电池(400)	1	选装/optional
1	254337012103	Li Battery 48V-300(JN-A)	锂电池48V-300(JN-A)	1	选装/optional
	254337012104	Li Battery 48V-400(JN-A)	锂电池 48V-400(JN-A)	1	选装/optional
2	254336512112	Lithium Charger ADY48V150A(380V)	锂电充电器 ADY48V150A(400V 50Hz)	1	300Ah
	254336512113	Lithium Charger ADY48V150A(400V)	锂电充电器 ADY48V150A(400V 50Hz)	1	300Ah
	254336512114	Lithium Charger ADY48V150A(415V)	锂电充电器 ADY48V150A(415V 50Hz)	1	300Ah
	254336512115	Lithium Charger ADY48V150A(420V)	锂电充电器 ADY48V150A(420-520V)	1	300Ah
	255136512102	Lithium Charger ADY48V200A(380V)	锂电充电器 ADY48V200A(380V 50Hz)	1	400Ah
	255136512103	Lithium Charger ADY48V200A(400V)	锂电充电器 ADY48V200A(400V 50Hz)	1	400Ah
	255136512104	Lithium Charger ADY48V200A(415V)	锂电充电器 ADY48V200A(415V 50Hz)	1	400Ah
	255136512105	Lithium Charger ADY48V200A(420V)	锂电充电器 ADY48V200A(420-520V)	1	400Ah
3	910400200005	Washer GB96.1-12-200HV	大垫圈GB96.1-12-200HV	4	
4	910400500008	Washer GB93-12	弹簧垫圈GB93-12	4	
5	910200200097	Screw GB70.1-M12x25-8.8	螺钉GB70.1-M12x25-8.8	4	
6	254323012001	Secondary weight	附配重	1	

